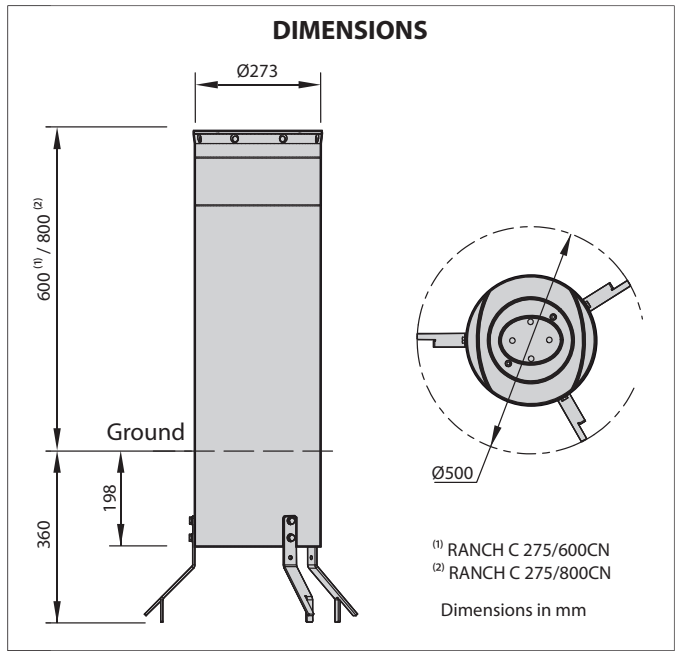


RANCH C 275/600CN RANCH C 275/800CN

Fixed bollard

Designed to integrate the use of automatic or semi-automatic bollards.
Available in two heights: 600 or 800 mm.



- Fixed bollard with high resistance.
- Cap with high brightness LEDs.
- The bollard can be integrated with flange.

TECHNICAL SPECIFICATIONS

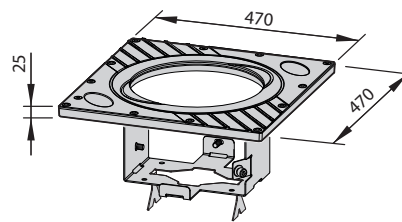
	RANCH C 275/600CN	RANCH C 275/800CN
Stem diameter	273 mm	
Stem height	600 mm	800 mm
Stem thickness	6 mm	
Break-in resistance	250 000 J (from simulation)	
Impact resistance	20 000 J (from simulation)	
Bollard type of material	Fe 360 (S 235 JR) *	
Bollard treatment	Cataphoresis, standard RAL7015 painting, other colours available upon request	
Cap type of material	Aluminum	
Cap treatment	Cataphoresis black	
Light power supply	ALLU	
Power	Light cable 24 Vac ±10%, 50-60 Hz (up to 80 bollards)	
Power consumption	1 W for each bollard	
Signalling	High intensity LEDs	
Top cover	Aluminum, cataphoresis black	
Weight	40 kg	48 kg
Visibility passive	Reflective white film H=100 mm **	
Buried structure	Ø273 x h.200 mm	
Foundation	600 x 600 x h.400 mm	

(*) = Option, AISI316

(**) = Customizable (optional)

ACCESSORIES

- Flange



Dimensions flange	470 x 470 mm
Type of material	Cast iron
Treatment	Cataphoresis black
Weight	15 kg

REFERENCE STANDARDS

2014/35/UE (EN 60335-1:2012; EN 60335-1/A11:2014; EN 60335-2-103:2015) Low voltage

2014/30/UE (EN 61000-6-3:2007; EN 61000-6-2:2005; EN 61000-6-3/A1:2011) Electromagnetic Compatibility

ITEM SPECIFICATION

Fixed bollard. Steel Fe 360 (S 235 JR). Finishing: cataphoresis, powder paint. Break-in resistance 250 000 J (from simulation). Adhesive reflecting strip. Aluminum top cover, cataphoresis black, with high intensity LEDs. Available in two sizes:

- Ø275 x h.600 x th.6 mm;
- Ø275 x h.800 x th.6 mm.

The bollard can be integrated with cast iron flange, 470x470 mm, cataphoresis black