



ANTI-TERRORISM BOLLARDS



Be ahead



XPASS B 330/1200

Automatic bollard

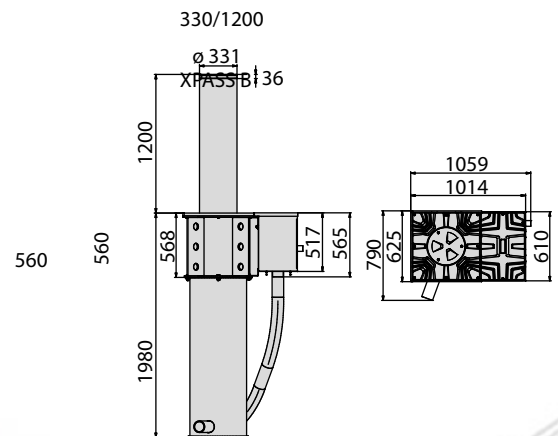
Automatic, hydraulic, anti-terrorism bollard, crash-tested an external, approved laboratory to meeting the IWA14-1:2013V/7200(NBC)/80/90 standard, equivalent to PAS68:2010 7500/80/N3 and ASTM2656:2007 M50 (former K12, SINGLE bollard).

Each bollard has a separate hydraulic unit, incorporated under the flange and easily accessible. If one control unit fails, the other bollards will continue to function, simplifying maintenance work.

Cap with bright, audible indicator. The bollard can be combined with the specific separate hydraulic control unit with EFO device for rapid emergency raising. If there is a power cut, the bollard stays up, the entrance remains closed and it can be lowered manually.



XPASS B
275/800



TECHNICAL DATA

Operator	XPASS 330/1200C L
Voltage	hydraulic bollard
Shaft height	230V
Thickness	800 mm
Shaft diameter	10 mm
Raising time	275 mm
Lowering time	max 6.3 sec
Raising time with EFO	4 sec (adjustable on site)
Shaft treatment	1.5 sec
Control unit	RAL 7015 painted steel and H100 mm reflective film
Ramming resistant	PERSEO CBE
Anti-terrorism reference standard	2,100,000J
Type of limit switch	PAS 68:2010 7500/80/N3
Manual operation	REED magnetic sensor
Environmental conditions	reversible in the event of a power failure
Protection rating	-40°C to +60°C
	IP67

if "LI" is in the code, AISI 304 or AISI 316 stainless steel available on request

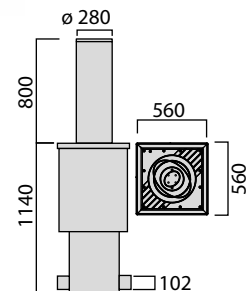


XPASS B 275/800

Automatic bollard

Automatic, hydraulic, anti-terrorism bollard, double installation crash-tested by external, approved laboratory meeting the IWA14-1:2013 standard with V/7200 [N2A]/48/90:5.5 rating, equivalent to PAS68:2013 with V/7500 [N2]/48/90:5.2, ASTM2656:2007 M30 rating.

Side hydraulic unit incorporated into the bollard. If one control unit fails, the other bollards will continue to function, simplifying maintenance work. Cap with bright LED and audible indicator. Bollard available in EFO version to be combined with the specific separate hydraulic control unit for rapid emergency raising. SD safety version available that keeps the bollard raised and the entrance closed in the event of a power cut. The bollard is lowered manually.



TECHNICAL DATA

	XPASS B 275/800 L	XPASS B 275/800 L SD
Operator	hydraulic bollard	hydraulic bollard
Voltage	230V	230V
Shaft height	800 mm	800 mm
Thickness	10 mm	10 mm
Shaft diameter	275 mm	275 mm
Raising time	max 7 sec	max 7 sec
Lowering time	4 sec	4 sec
Raising time with EFO	-	-
Shaft treatment	RAL 7015 painted steel and H100 mm reflective film	RAL 7015 painted steel and H100 mm reflective film
Control unit	PERSEO CBE	PERSEO CBE
Ramming resistant	800,000 J	800,000 J
Anti-terrorism reference standard	PAS 68:2010 7500/50/N2	PAS 68:2010 7500/50/N2
Type of limit switch	REED magnetic sensor	REED magnetic sensor
Manual operation	reversible in the event of a power failure	reversible with mechanical key in the event of a power failure
Environmental conditions	-40°C to +60°C	-40°C to +60°C
Protection rating	IP67	IP67

if "LI" is in the code, AISI 304 or AISI 316 stainless steel available on request



XPASS B 275/800 L SD EFO

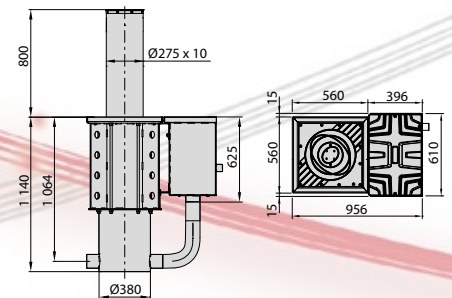
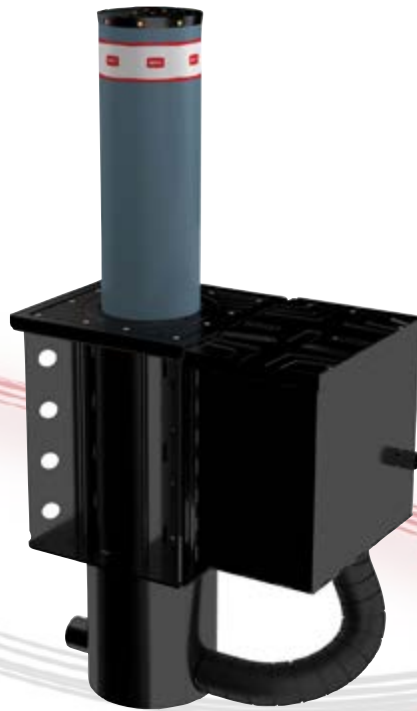
Automatic bollard



Automatic, hydraulic, anti-terrorism bollard, double installation crash-tested by external, approved laboratory meeting the IWA14-1:2013 standard with V/7200 (N2A)/48/90:5.5 rating, equivalent to PAS68:2013 with V/7500 (N2)/48/90:5.2, ASTM2656:2007 M30 rating. EFO version that can be combined with the specific separate hydraulic control unit for rapid emergency raising.

If one control unit breaks, the other bollards will guarantee it continues to function, simplifying maintenance work. The bollard is EFO, equipped with SD safety devices that keeps the bollard raised and the entrance closed in the event of a power cut. The bollard is lowered manually.

Cap with bright LED and audible indicator.



TECHNICAL DATA

	XPASS B 275/800 L SD EFO
Operator	hydraulic bollard
Voltage	230V
Shaft height	800 mm
Thickness	10 mm
Shaft diameter	275 mm
Raising time	max 4 sec
Lowering time	2 sec
Raising time with EFO	less than 2 sec
Shaft treatment	RAL 7015 painted steel and H100 mm reflective film
Control unit	PERSEO CBE
Ramming resistant	800,000 J
Anti-terrorism reference standard	PAS 68:2010 7500/50/N2
Type of limit switch	REED magnetic sensor
Manual operation	reversible with mechanical key in the event of a power failure
Environmental conditions	-40°C to +60°C
Protection rating	IP67

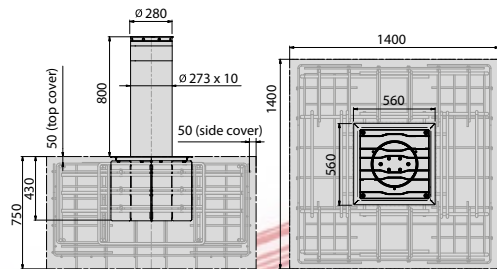
if "LI" is in the code, AISI 304 or AISI 316 stainless steel available on request



RANCH D

Fixed bollard

Fixed anti-terrorism bollard providing high level of protection. ASTM2656:2007 M30 – PAS68:2010 7500/50/ N2 reference standard. Ideal for protecting sensitive sites, used for debarring access for an extended period of time. It can be combined with automatic bollards from the XPASS B 275/800 range. Cap with bright indicator. Painted steel shaft, optional STAINLESS steel coating. Flange purchased separately.



The metal cage in the diagram is not supplied.

TECHNICAL DATA

	RANCH D CN L	RANCH D 275/800 C LI
Operator	fixed bollard	fixed bollard
Shaft height	800 mm	800 mm
Shaft thickness	10 mm	275 mm
Shaft diameter	275 mm	10 mm
Shaft treatment	RAL 7015 painted steel and H100 mm reflective film	AISI 304 or AISI 316 stainless steel
Ramming resistant	800,000 J	667,000 J
Anti-terrorism reference standard	PAS 68:2010 7500/50/N2	

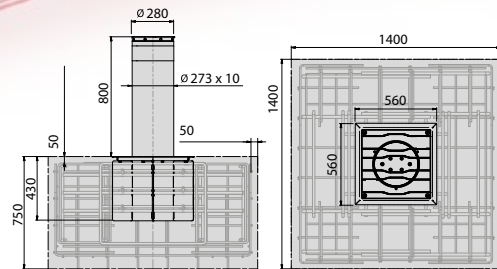
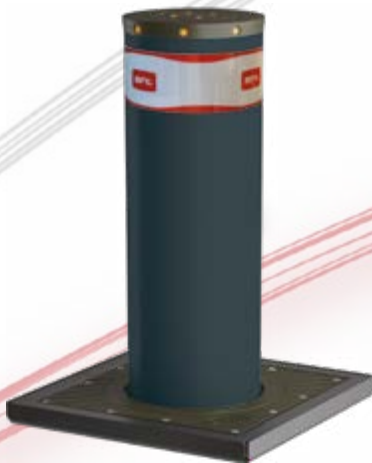
if "LI" is in the code, AISI 304 or AISI 316 stainless steel available on request



RANCH E

Fixed bollard

Fixed anti-terrorism bollard providing high level protection. Highly resistant structure designed along the lines of the automatic version, certified by an IWA-14 and PAS68:2010 7500/80/N3C approved laboratory that includes ASTM2656:2007 M50. Double installation. Cap with bright indicator. Flange purchased separately.



The metal cage in the diagram is not supplied.

TECHNICAL DATA

Operator
 Shaft height
 Shaft thickness
 Shaft diameter
 Shaft treatment
 Ramming resistant
 Anti-terrorism reference standard

RANCH E C L

fixed bollard
 1,200 mm
 14 mm
 330 mm
 RAL 7015 painted steel and H100 mm reflective film
 2,100,000 J
 PAS68:2010 7500/80/N3C

if "LI" is in the code, AISI 304 or AISI 316 stainless steel available on request