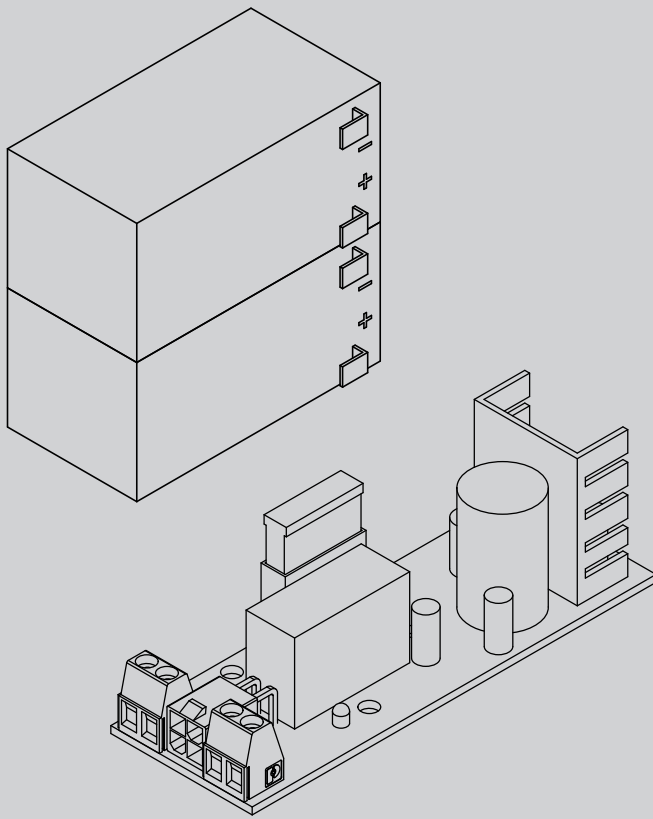




D811813\_02\_04-07-14

BATTERY BACK UP KIT



# BBT BAT

INSTALLATION MANUAL



AZIENDA CON SISTEMA DI GESTIONE  
INTEGRATO CERTIFICATO DA DNV  
= UNI EN ISO 9001:2008 =  
UNI EN ISO 14001:2004

Caution! Read "Warnings" inside carefully!

**1) GENERAL OUTLINE**

Battery backup kit. Allows the operator to work even when the power supply is temporarily off.

**2) SBS BOARD AND BATTERY SPECIFICATIONS**

Charge voltage:.....	27.2V
Charge current: .....	130mA
Data detected with external temperature of: .....	25°C
Battery capacity: .....	2x (12V 1.2Ah)
Exhausted battery protection threshold: .....	20.4V
Battery recharging time:.....	12/14 h
Fuse .....	20A

**3) ASSEMBLY**

All the assembling and connecting operations must be carried out by qualified personnel. **The descriptions and illustrations contained in the present manual are not binding. The Company reserves the right to make any alterations deemed appropriate for the technical, manufacturing and commercial improvement of the product, while leaving the essential product features unchanged, at any time and without undertaking to update the present publication.**

- This product has been designed and built solely for the purpose indicated herein. Uses other than those indicated herein might cause damage to the product and create a hazard.
- Make sure the stated temperature range is compatible with the site in which the automated system is due to be installed.
- Do not install this product in an explosive atmosphere: the presence of flammable fumes or gas constitutes a serious safety hazard.
- Disconnect the electricity supply before performing any work on the system. Also disconnect buffer batteries, if any are connected.
- Only use original spare parts for any maintenance or repair work. The Firm disclaims all responsibility for the correct operation and safety of the automated system if parts from other manufacturers are used.
- Do not make any modifications to the automated system's components unless explicitly authorized by the Firm.

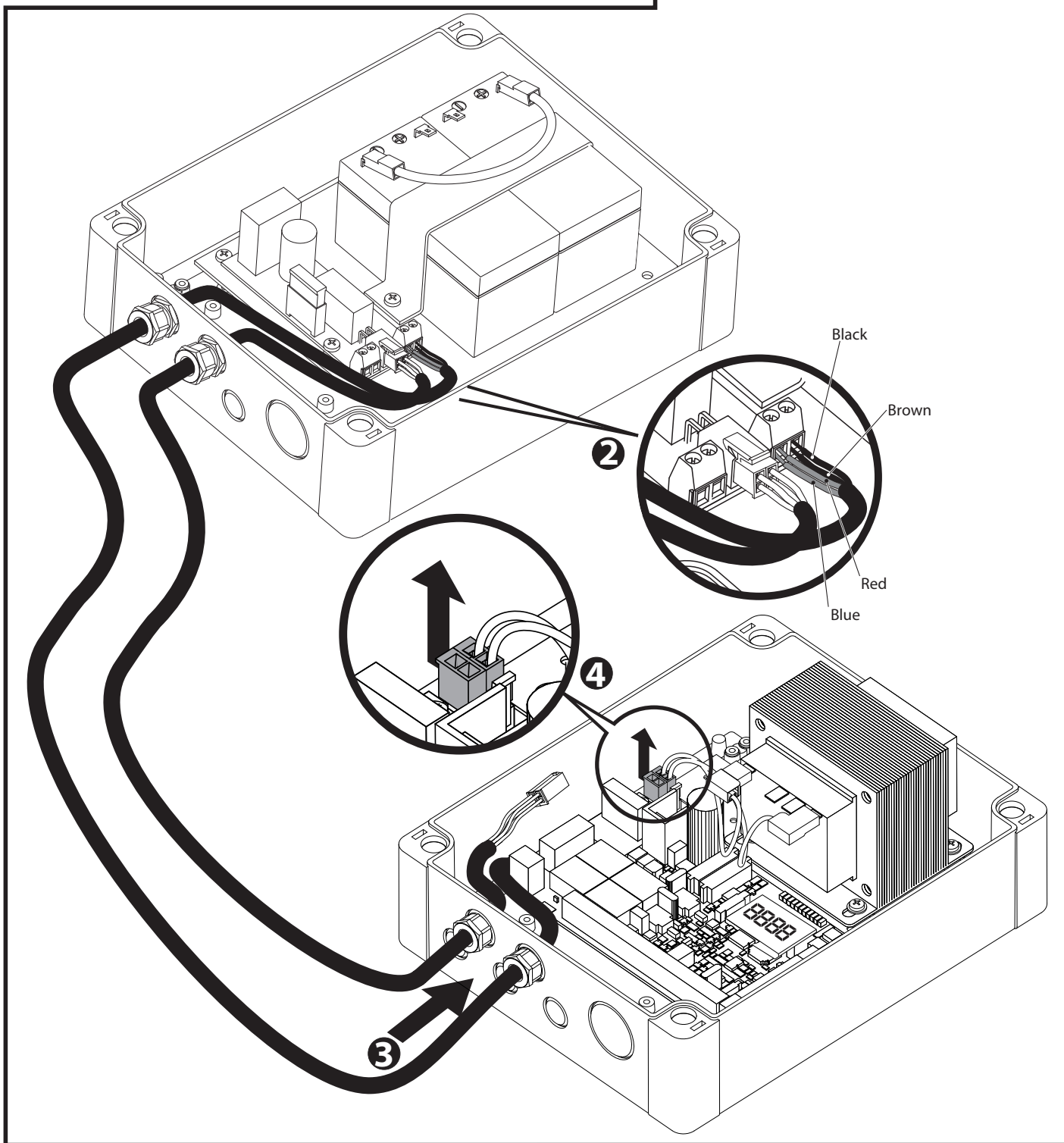
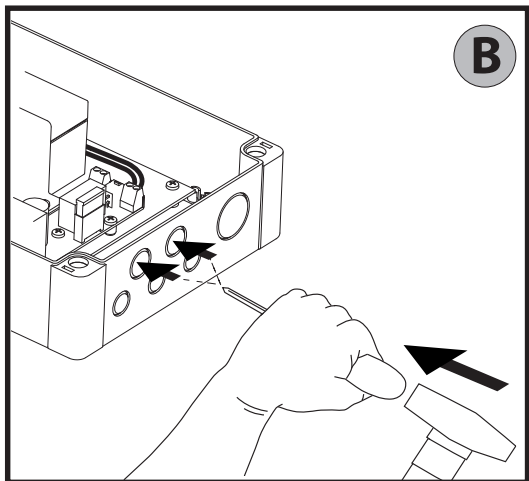
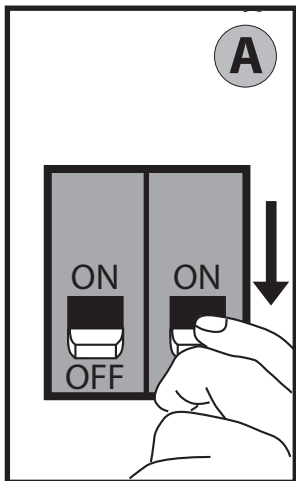
**4) SCRAPPING**

Materials must be disposed of in accordance with the regulations in force. Do not throw away your discarded equipment or used batteries with household waste. You are responsible for taking all your waste electrical and electronic equipment to a suitable recycling centre.

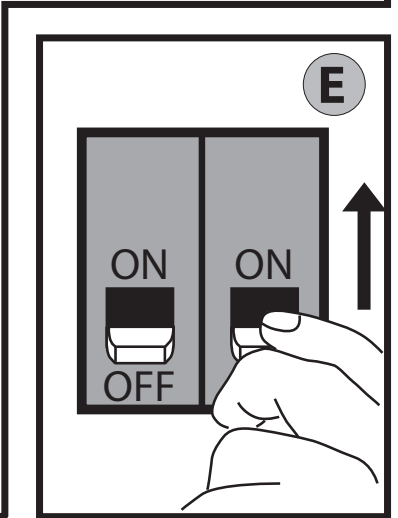
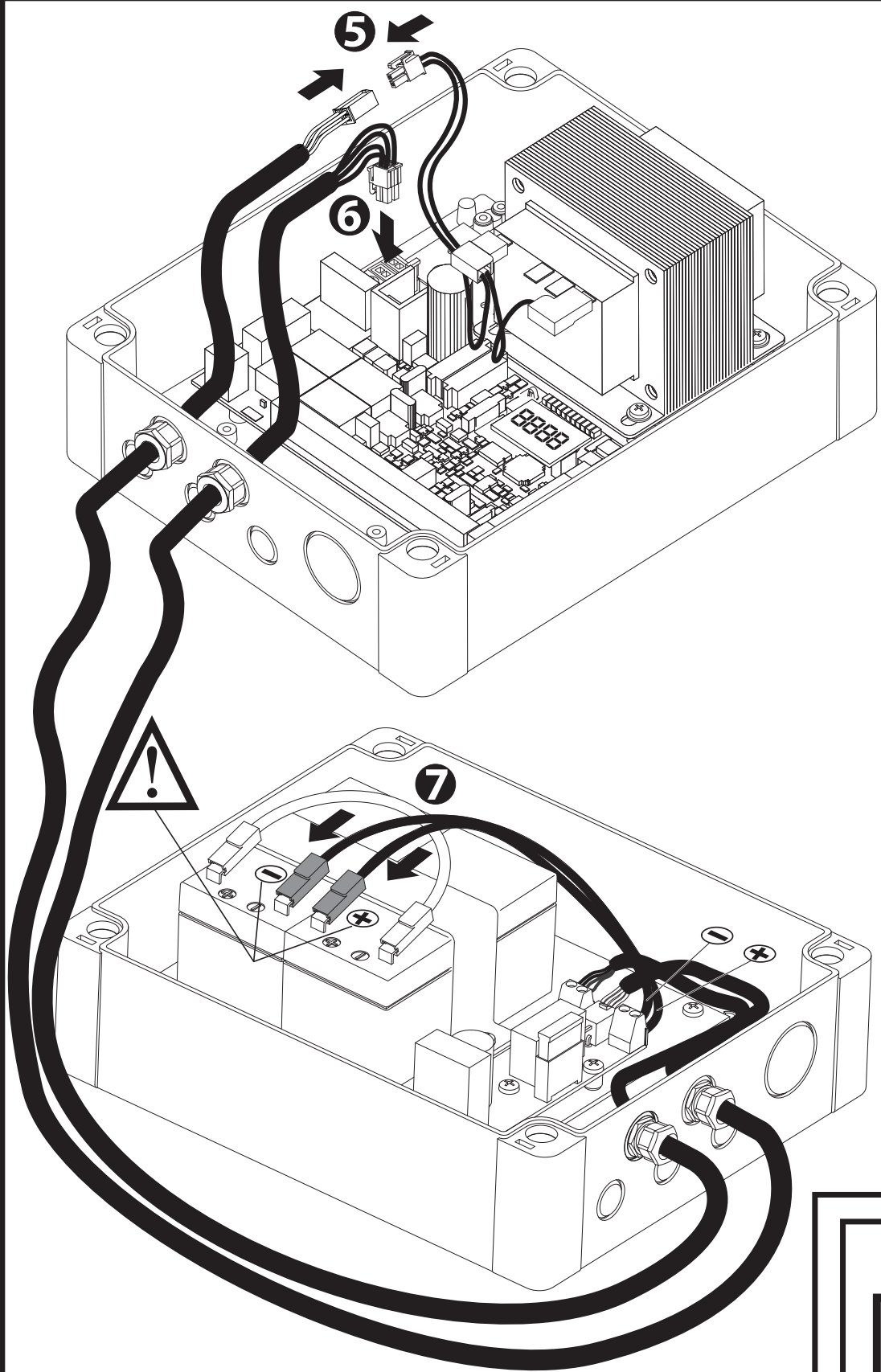
Pb



### BBT BAT



D





**Bft Spa**  
Via Lago di Vico, 44  
36015 Schio (VI)  
T +39 0445 69 65 11  
F +39 0445 69 65 22  
→ [www.bft.it](http://www.bft.it)



**SPAIN**  
**BFT GROUP ITALIBERICA DE AUTOMATISMOS S.L.**  
08401 Granollers - (Barcelona)  
[www.bftautomatismos.com](http://www.bftautomatismos.com)

**FRANCE**  
**AUTOMATISMES BFT FRANCE**  
69800 Saint Priest  
[www.bft-france.com](http://www.bft-france.com)

**GERMANY**  
**BFT TORANTRIEBSSYSTEME GmbH**  
90522 Oberasbach  
[www.bft-torantriebe.de](http://www.bft-torantriebe.de)

**UNITED KINGDOM**  
**BFT AUTOMATION UK LTD**  
Stockport, Cheshire, SK7 5DA  
[www.bft.co.uk](http://www.bft.co.uk)

**IRELAND**  
**BFT AUTOMATION LTD**  
Dublin 12

**BENELUX**  
**BFT BENELUX SA**  
1400 Nivelles  
[www.bftbenelux.be](http://www.bftbenelux.be)

**POLAND**  
**BFT POLSKA SP. Z O.O.**  
05-091 ZĄBKI  
[www.bft.pl](http://www.bft.pl)

**CROATIA**  
**BFT ADRIA D.O.O.**  
51218 Drazice (Rijeka)  
[www.bft.hr](http://www.bft.hr)

**PORTUGAL**  
**BFT SA-COMERCIO DE AUTOMATISMOS E MATERIAL DE SEGURANCIA**  
3020-305 Coimbra  
[www.bftportugal.com](http://www.bftportugal.com)

**CZECH REPUBLIC**  
**BFT CZ S.R.O.**  
Praha  
[www.bft.it](http://www.bft.it)

**TURKEY**  
**BFT OTOMATIK KAPI SISTEMELERI SANAY VE**  
Istanbul  
[www.bftotomasyon.com.tr](http://www.bftotomasyon.com.tr)

**RUSSIA**  
**BFT RUSSIA**  
111020 Moscow  
[www.bftorus.ru](http://www.bftorus.ru)

**AUSTRALIA**  
**BFT AUTOMATION AUSTRALIA PTY LTD**  
Wetherill Park (Sydney)  
[www.bftaustralia.com.au](http://www.bftaustralia.com.au)

**U.S.A.**  
**BFT USA**  
Boca Raton  
[www.bft-usa.com](http://www.bft-usa.com)

**CHINA**  
**BFT CHINA**  
Shanghai 200072  
[www.bft-china.cn](http://www.bft-china.cn)

**UAE**  
**BFT Middle East FZCO**  
Dubai