



DAMPY B

DAMPY B 500

DAMPY B 700

• SEMI-AUTOMATIC BOLLARD



D812135 00550_03 15-07-16

• INSTALLATION AND USE



The **INSTALLATION, USE handbook is for installers and users.** Please read it carefully before installing the appliance and before using it. The manufacturer is not liable for injury to people or animals or damage to things in the case of applications that exceed the limits specified on the enclosed technical data sheet or by a use different from what the appliance has been designed.

GENERAL

The bollard is the ideal solution for protecting and safeguard private areas in compliance with modern urban furnishing requirements. Do not install on high trafficability road.

- The construction components of this product must comply with the following European Directives: **2004/108/CEE, 2006/95/CEE, 2006/42 EEC** and subsequent amendments. As for all non-EEC countries, the above-mentioned standards as well as the current national standards should be respected in order to achieve a good safety level.
- The Company declines all responsibility for any consequences resulting from failure to observe Good Technical Practice when installing the device described in the present manual.
- Disconnect the electrical supply before carrying out any work on the installation. Also disconnect any buffer batteries, if fitted.
- Check that earthing is carried out correctly.
- Installation must be carried out using the safety devices and controls prescribed by the EN 12978 Standard.
- Only use original parts for any maintenance or repair operation. The Company declines all responsibility with respect to the correct operation when other producers' components are used.
- Do not modify the components, unless explicitly authorised by the Company.
- Scrap packing materials (plastic, cardboard, polystyrene etc) according to the provisions set out by current standards. Keep nylon or polystyrene bags out of children's reach.
- Maintenance must be carried out by qualified personnel only.
- Anything which is not expressly provided for in the present instructions, is not allowed.

TECHNICAL DATA SHEET

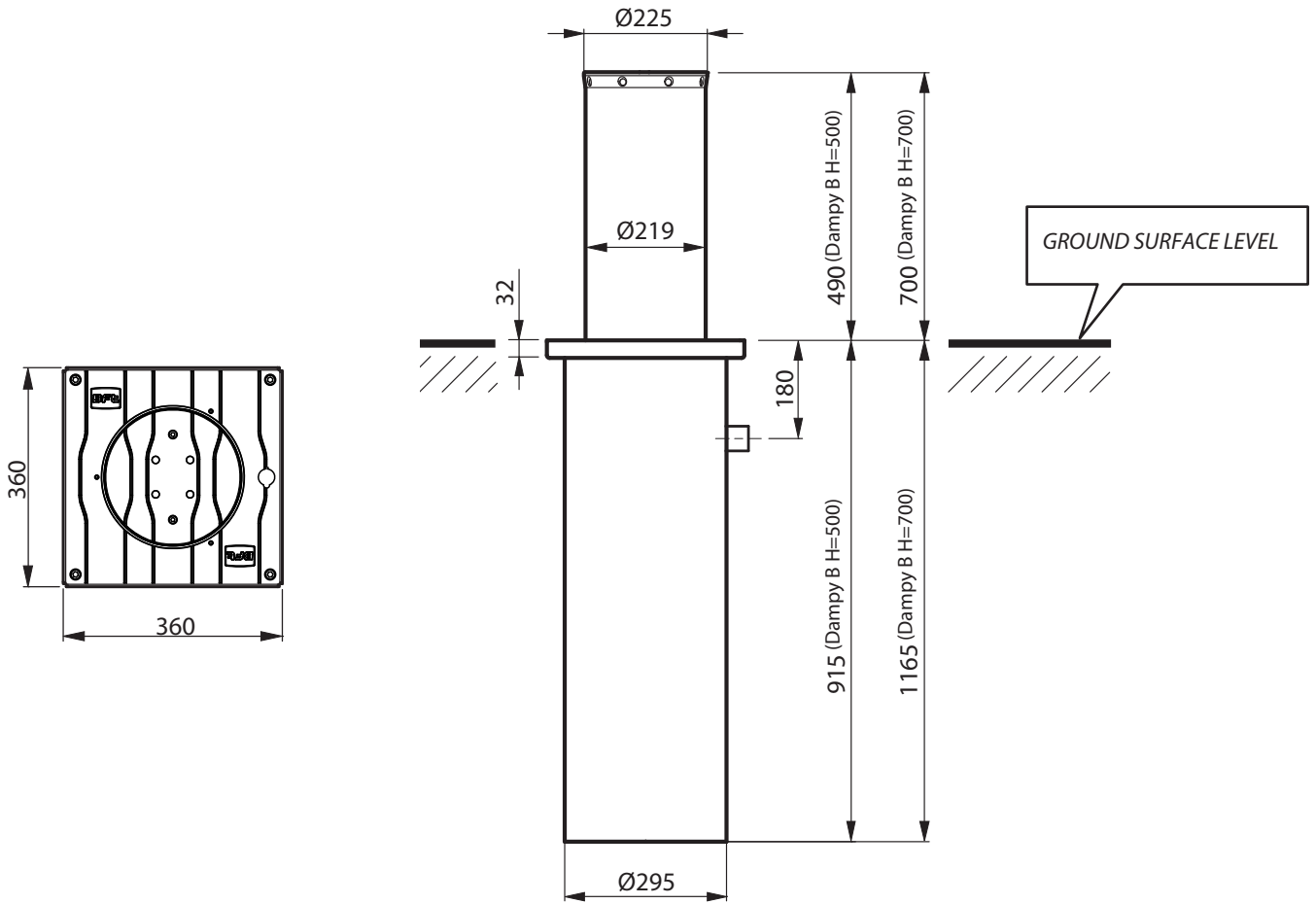
OVERALL DIMENSIONS	360 x 360 x h. 1405 (SCUDO-GN 500) - 360 x 360 x h. 1865 (SCUDO-GN 700)
ROD	Ø 219 x h. 490/700 x sp./th. 5 mm in acciaio/steel Fe 360 (S 235 JR)
SURFACE TREATMENT	Cataphoresis + powder paint coating grey RAL 7015
LIFTING	By means of a gas spring
LIFTING THRUST	40N
LOCKING	By triangular key
NET WEIGHT	59 kg (SCUDO-GN 500) - 72 kg (SCUDO-GN 700)
GROSS WEIGHT	74 kg (SCUDO-GN 500) - 103 kg (SCUDO-GN 700)



ALL DIMENSIONS IN mm

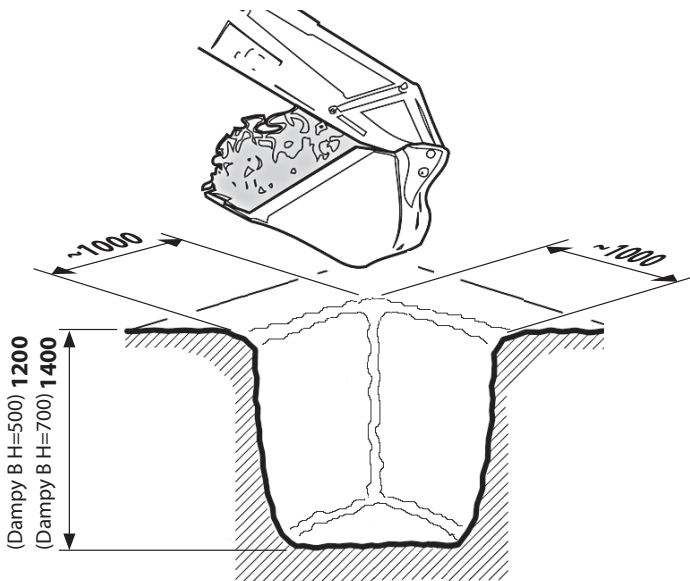
1

OVERALL DIMENSIONS

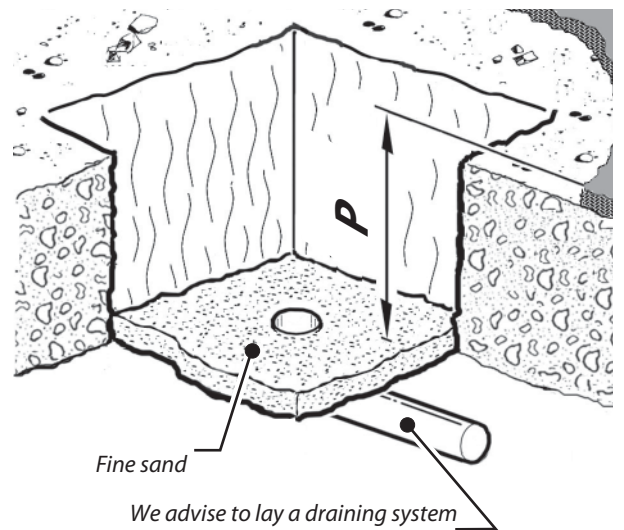


2

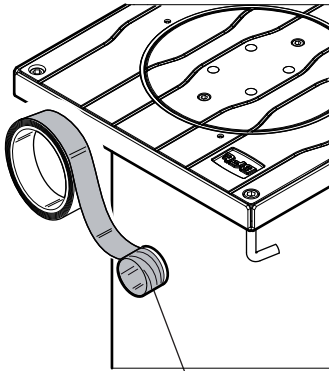
INSTALL BOLLARD



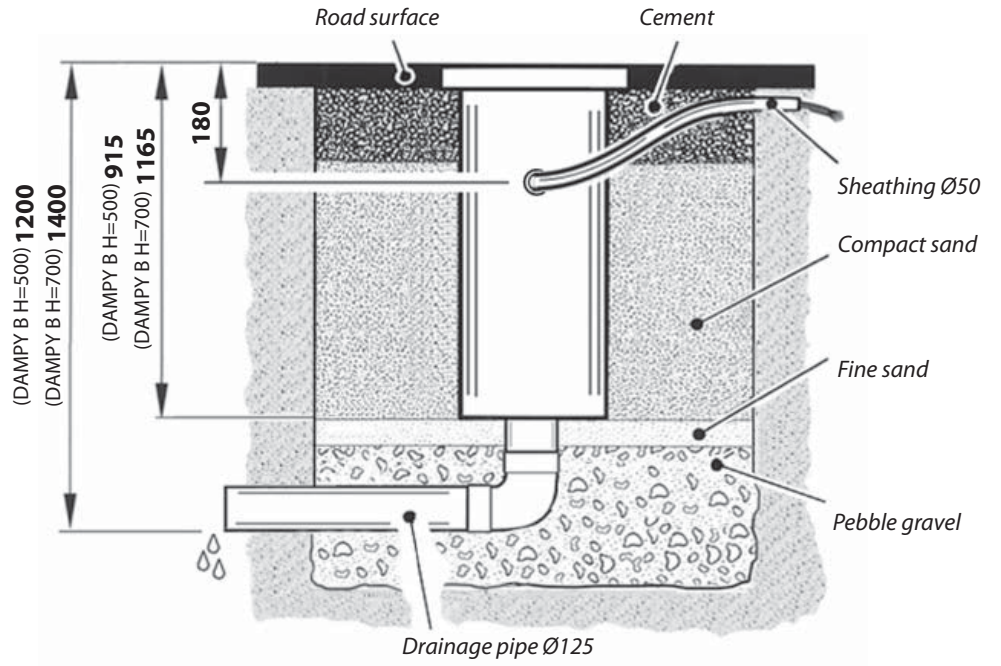
P	DAMPY B H=500	915 mm
	DAMPY B H=700	1165 mm



DAMPY B without light

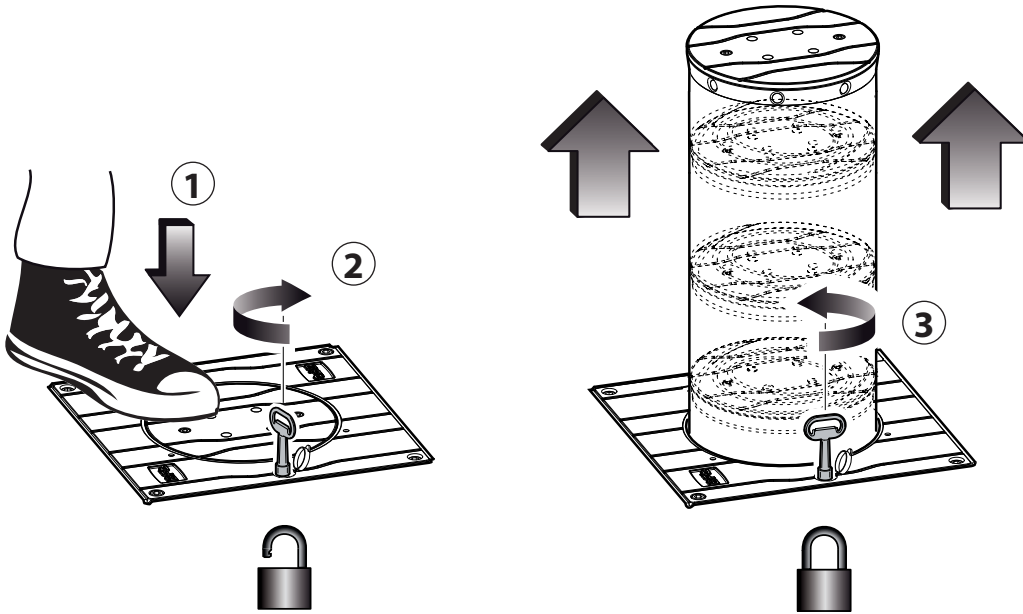


Close with tape

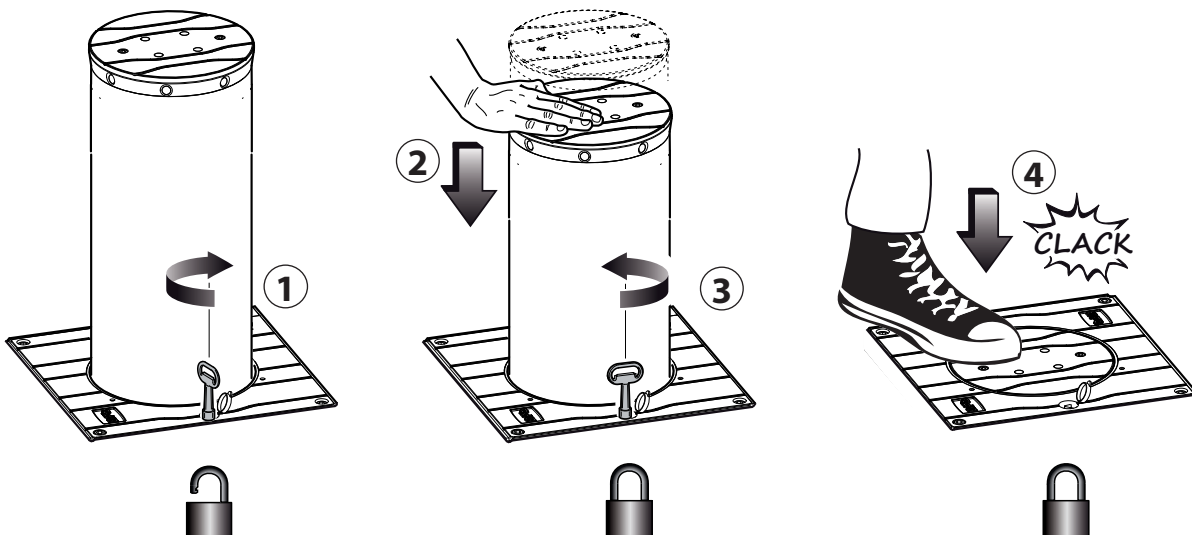


3

OPERATION



CHIUSURA • RISE UP



APERTURA • LOWERING DOWN

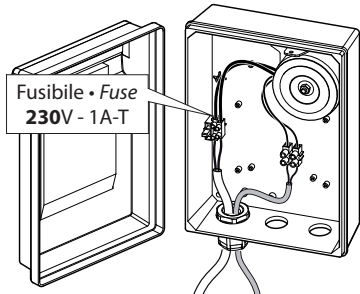
DAMPY B with light only



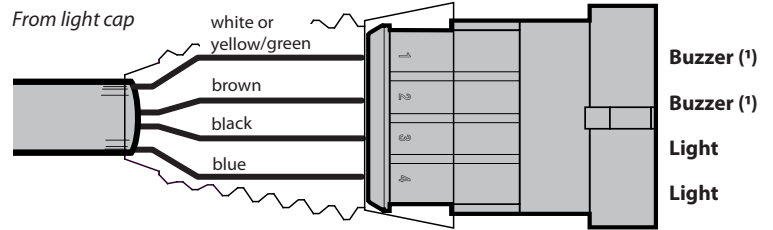
ATTENZIONE 230V
ATTENTION 230V

Always disconnect the electricity with a cut-off switch before attempting any work on the system.

324055-U / P800104 - ALLU

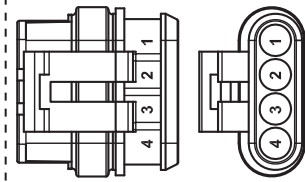


230Vac **24Vac**
Single phase line Light cable



(*) Do not connect

Counterpart connector (not supplied)



- N° 1 AMP cod. 282088-1 female connector
- N° 4 AMP cod. 183035-1 pins
- N° 4 AMP cod. 281934-2 wire seals