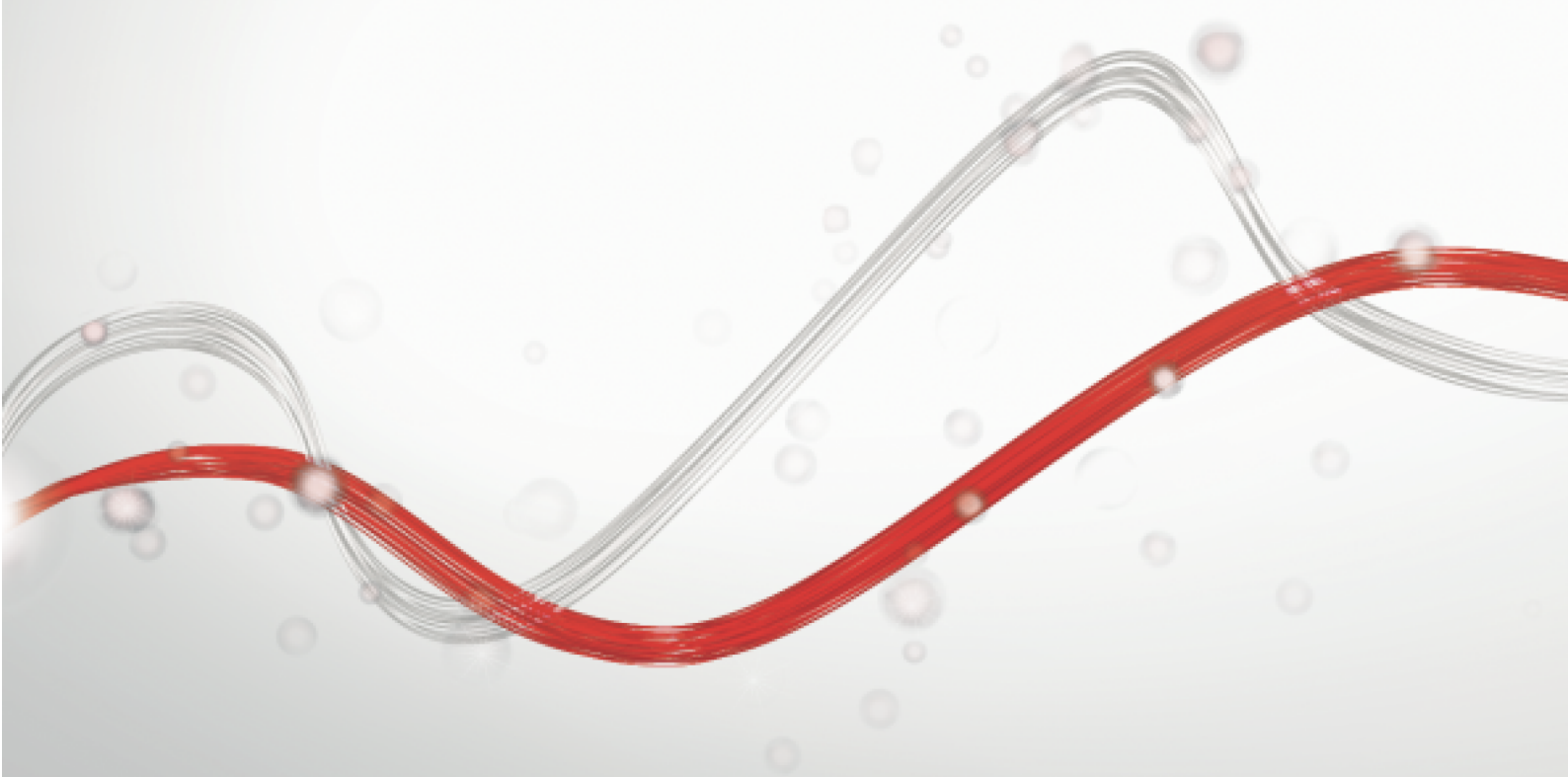




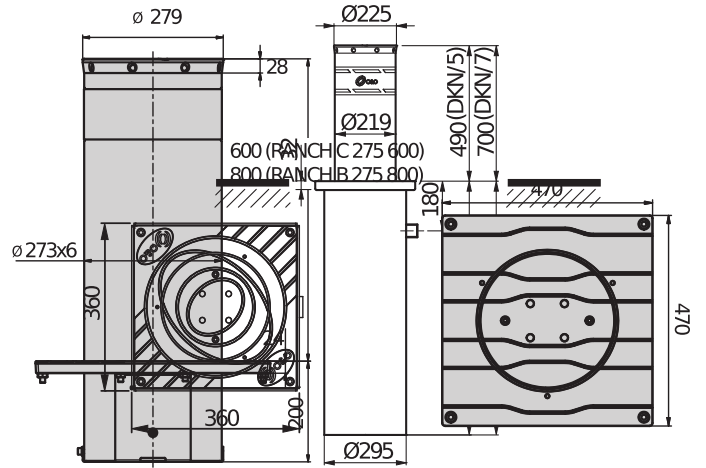
Be ahead

RANCH C





Parking and traffic bollards



Fixed bollards used for preventing access for long periods. Bolted to the ground, their purpose is to block an access point or a road. They can integrate the use of automatic or semi-automatic bollards.



Parking and traffic bollards

RANCH C

Code	Name	Description
P970102 00001	RANCH C 275/600CN	Fixed bollard used for long-term access prevention. Height 600 mm and diameter 273 mm. Version without lights and stainless steel painted shaft, RAL 7015. Flange not included High breakage resistance
P970102 00101	RANCH C 275/600CN - RAL	Fixed bollard used for long-term access prevention. Height 600 mm and diameter 273 mm. Version without lights and painted steel shaft. RAL colour to order. Flange not included. High breakage resistance
P970102 00002	RANCH C 275/600CN L	Fixed bollard used for long-term access prevention. Height 600 mm and diameter 273 mm. Version with lights and painted steel shaft, RAL 7015. Flange not included Painted steel High breakage resistance
P970102 00102	RANCH C 275/600CN L - RAL	Fixed bollard used for long-term access prevention. Height 600 mm and diameter 273 mm. Version with lights and painted steel shaft. RAL colour to order. Flange not included High breakage resistance
P970102 00003	RANCH C 275/600CN I	Fixed bollard used for long-term access prevention. Height 600 mm and diameter 273 mm. Version without lights and stainless steel shaft. Flange not included. Stainless steel High breakage resistance
P970102 00004	RANCH C 275/600CN LI	Fixed bollard used for long-term access prevention. Height 600 mm and diameter 273 mm. Version with lights and stainless steel shaft. Flange not included. High breakage resistance
P970103 00002	RANCH C 275/800CN L	Fixed bollard used for long-term access prevention. Height 800 mm and diameter 273 mm. Version with lights and painted steel shaft, RAL 7015. Flange not included High breakage resistance
P970103 00102	RANCH C 275/800CN L - RAL	Fixed bollard used for long-term access prevention. Height 800 mm and diameter 273 mm. Version with lights and painted steel shaft. RAL colour to order. Flange not included. High breakage resistance
P970103 00004	RANCH C 275/800CN LI	Fixed bollard used for long-term access prevention. Height 800 mm and diameter 273 mm. Version with lights and stainless steel shaft. Flange not included. High breakage resistance

	RANCH C 275/600CN	RANCH C 275/600CN - RAL	RANCH C 275/600CN L	RANCH C 275/600CN L - RAL	RANCH C 275/600CN I	RANCH C 275/600CN LI
Operator type	Fixed bollards	Fixed bollards	Fixed bollards	Fixed bollards	Fixed bollards	Fixed bollards
Rod height	600 mm	600 mm	600 mm	600 mm	600 mm	600 mm
Rod thickness	6 mm	6 mm	6 mm	6 mm	6 mm	6 mm
Rod diameter	273 mm	273 mm	273 mm	273 mm	273 mm	273 mm
Rod treatment	RAL 7015 painted steel	RAL 7015 painted steel	RAL 7015 painted steel	RAL 7015 painted steel	brushed AISI 316 stainless steel and reflective film	brushed AISI 316 stainless steel and reflective film
Rod fixing	3 bolts	3 bolts	3 bolts	3 bolts	3 bolts	3 bolts

	RANCH C 275/800CN L	RANCH C 275/800CN L - RAL	RANCH C 275/800CN LI
Operator type	Fixed bollards	Fixed bollards	Fixed bollards
Rod height	800 mm	800 mm	800 mm
Rod thickness	6 mm	6 mm	6 mm
Rod diameter	273 mm	273 mm	273 mm
Rod treatment	RAL 7015 painted steel	RAL 7015 painted steel	brushed AISI 316 stainless steel and reflective film
Rod fixing	3 bolts	3 bolts	3 bolts



RANCH C



Parking and traffic bollards

RECOMMENDED ACCESSORIES

	<p>P800104 - ALLU</p> <p>Power supply for fixed Ranch E bollards</p>		<p>P800109 - FLANGE RANCH C</p> <p>Flange for Ranch C</p>
--	---	---	--