



Be ahead

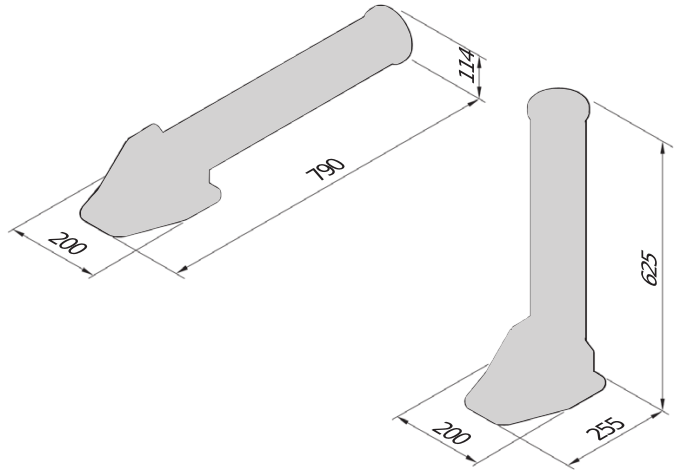


RANCH R





Parking and traffic bollards



Tilting manual bollard for parking space saver application.



RANCH R



Parking and traffic bollards

RANCH R

Code	Name	Description
P970101	RANCH R Ø115-625 DISS. RIBALT.	Manual fold down bollard with shaft diameter 114 mm and height 625 mm.
		RANCH R Ø115-625 DISS. RIBALT.
Operator type		manual bollards
Rod height		625 mm
Rod diameter		114 mm