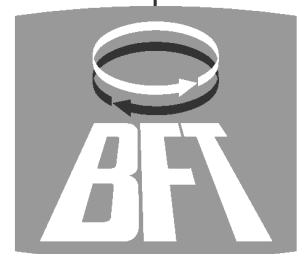


QUICK INSTALLATION GUIDE

ECOSOL BOX TO LIBRA UL-R, ARES AND DEIMOS BT



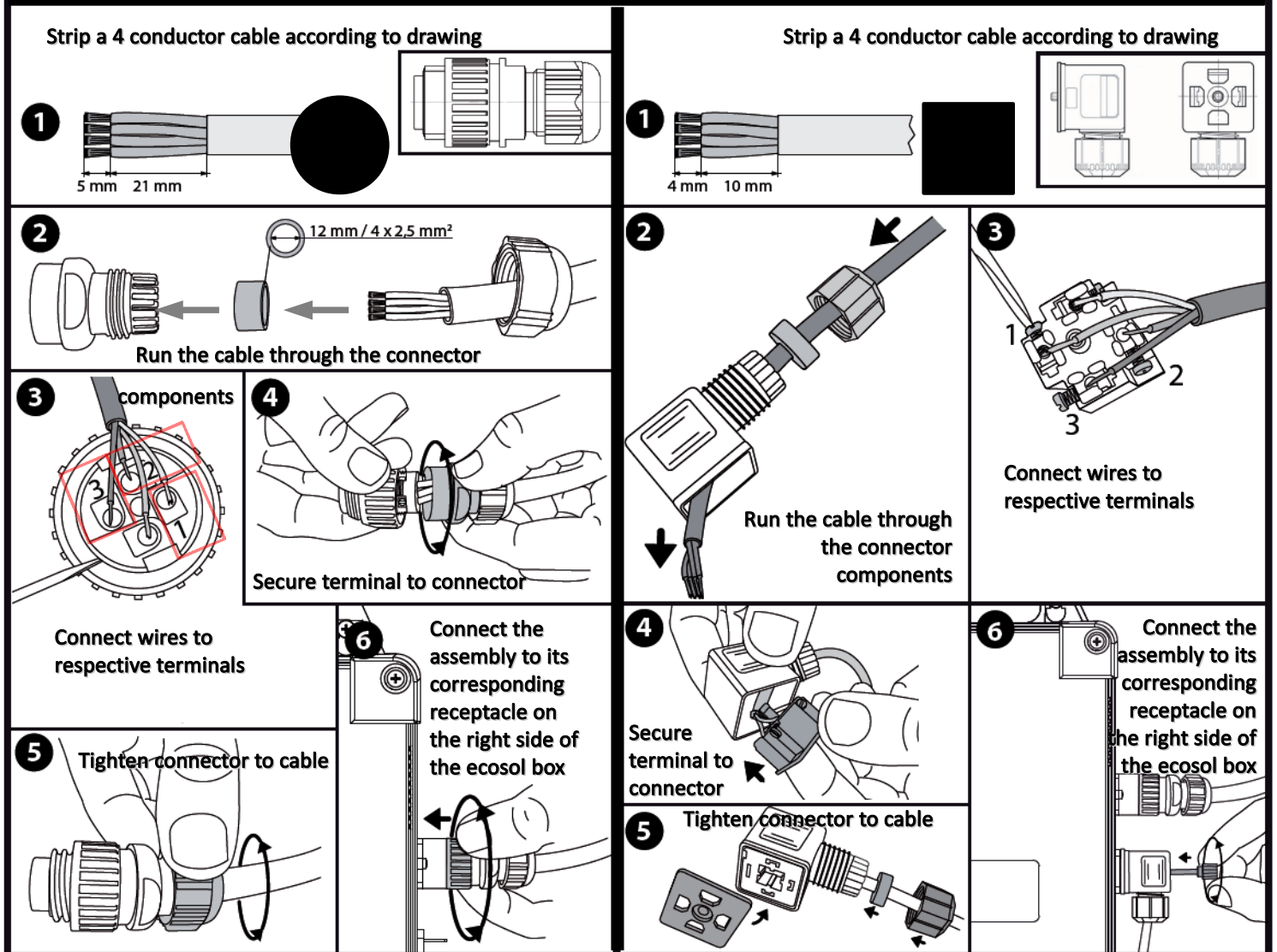
ECOSOL BOX



5 SIMPLE RULES TO FOLLOW WHEN INSTALLING AN ECOSOL

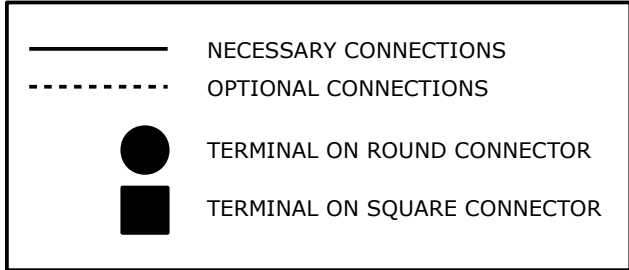
1. Keep the system as simple as possible. The simpler the system, the least energy it consumes, hence, the better performance.
2. **DO NOT PROGRAM REMOTES OR OPENING COMMAND INPUTS TO CONTROLLER BOARD.** All remotes and open command inputs must be wired to the ECOSOL board.
3. Free exit devices and magnetic loop detectors draw current at all times so it is suggested not to implement them. If a free exit device is a must, low power consumption detectors such as the Diablo Controls model DSP-6LP and DSP-7LP are strongly recommended over photocell sensors.
4. As a general rule, the solar panel should always face south and at an angle equal to the locations latitude +/- 10°, in a shade free area.

ECOSOL HARNESS ASSEMBLY

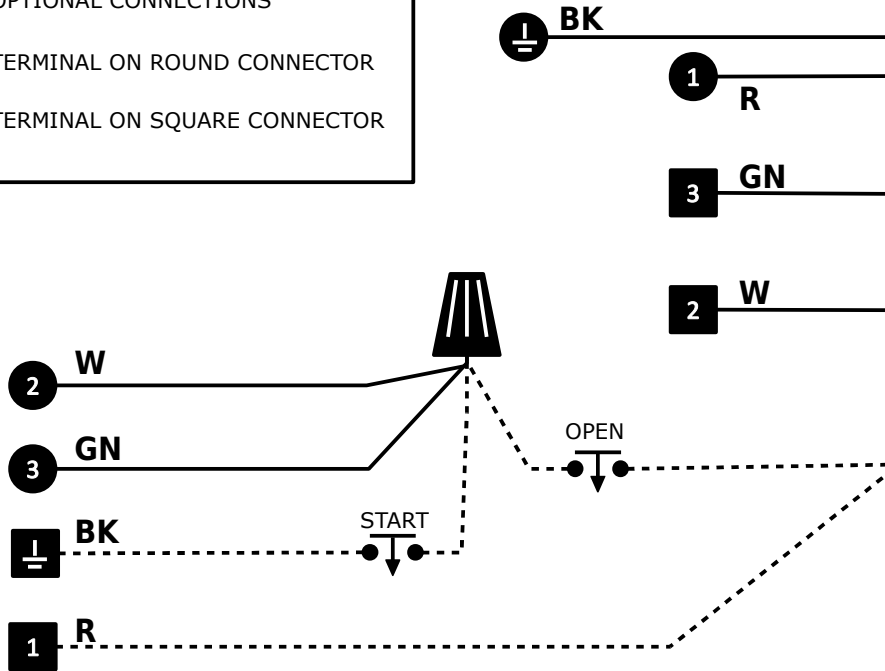


ECOSOL CONNECTIONS TO THE DEIMOS BT & ARES

TRANSFORMER WIRES MUST BE DISCONNECTED!!

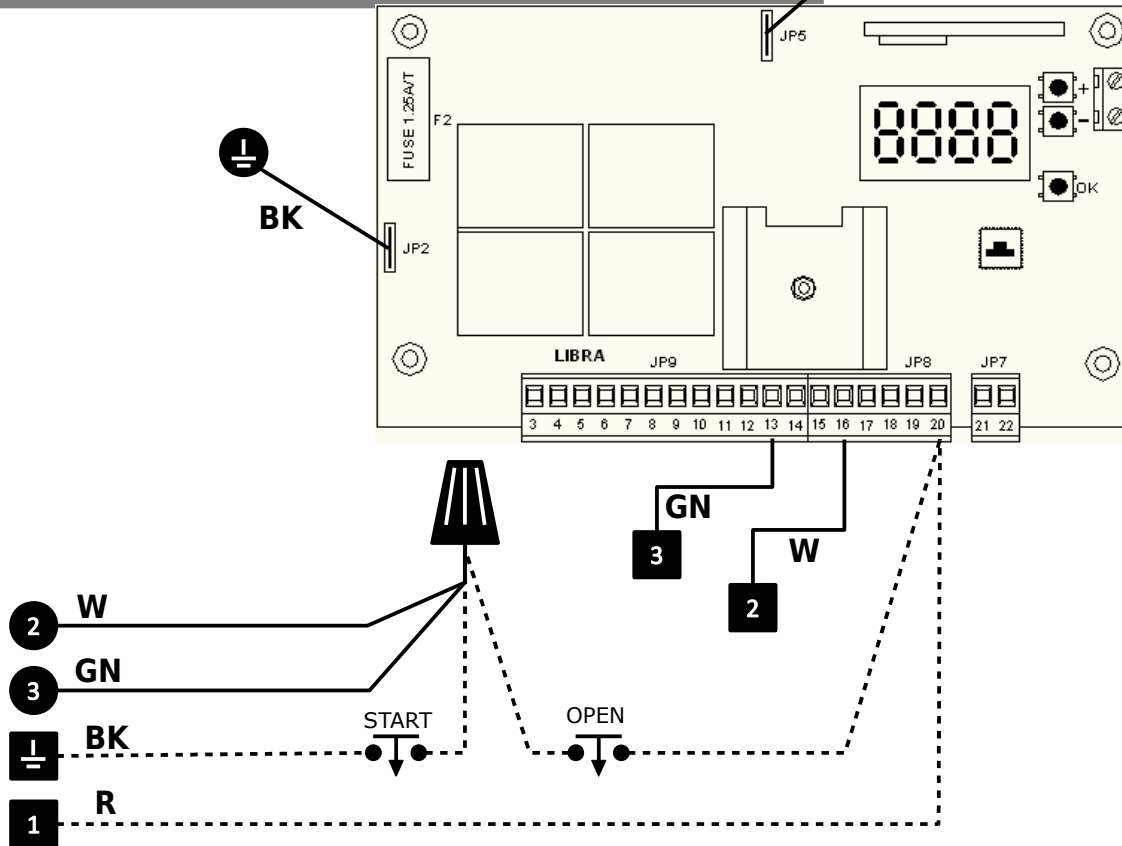


DEIMOS BT / ARES TERMINAL STRIP	
3	-24 V IN
4	+24 V IN
17	+ V-SAFE
21	COMMON
22	START
23	STOP
24	PHOTO (SAFETY)
25	BAR
26	OPEN

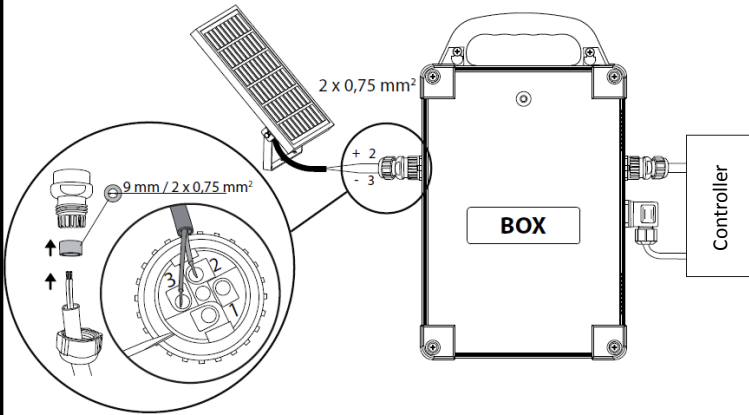


ECOSOL CONNECTIONS TO LIBRA UL-R

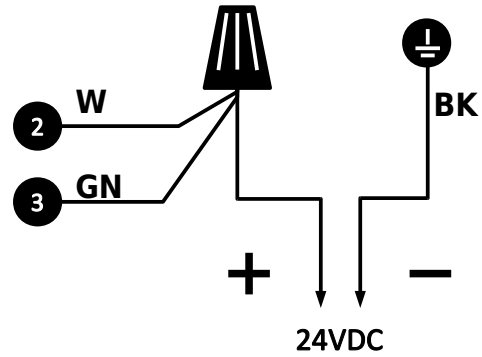
TRANSFORMER WIRES MUST BE DISCONNECTED!!



ECOSOL CONNECTIONS TO LIBRA UL-R



ALWAYS-ON ACCESSORY POWER



DIPSWITCH PROGRAMMING

DIPSWITCH 1

Turn on when ECOSOL Double (external battery pack) is connected to Ecosol board.

DIPSWITCH 2

Turn on for transmitter activated transmitter learning.

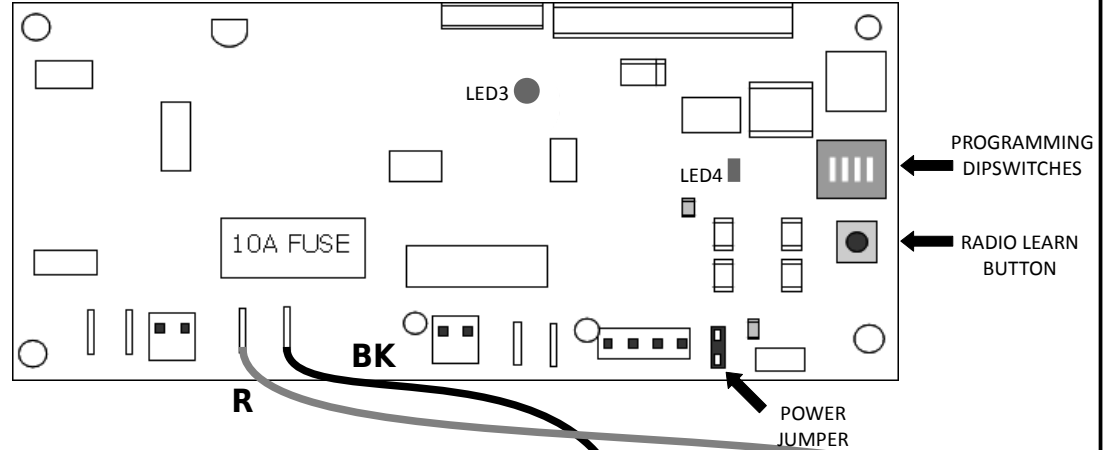
DIPSWITCH 3 & 4

initial command delay setting

All off: 1.3 seconds
 3 On: 1.5 seconds
 4 On: 1.7 seconds
 3 & 4 On: 2.1 seconds

RADIO TRANSMITTER PROGRAMMING

1. Press RADIO LEARN BUTTON once. LED3 should blink once every second.
2. Press and hold the 2 top buttons on your transmitter until LED3 turns on solid.
3. Press the desired button on the transmitter. LED3 should blink rapidly for a second and goes back to a blink per second.
4. If additional transmitter needs to be learned, repeat steps 2 and 3 while LED3 is blinking.



OPERATOR PROGRAMMING

To program the gate operator, the power jumper must be installed over both pins. The operator will be powered while this jumper is in place.

Once the programming is completed, it is imperative to remove this jumper. Failure to do so will result in rapid battery discharge

