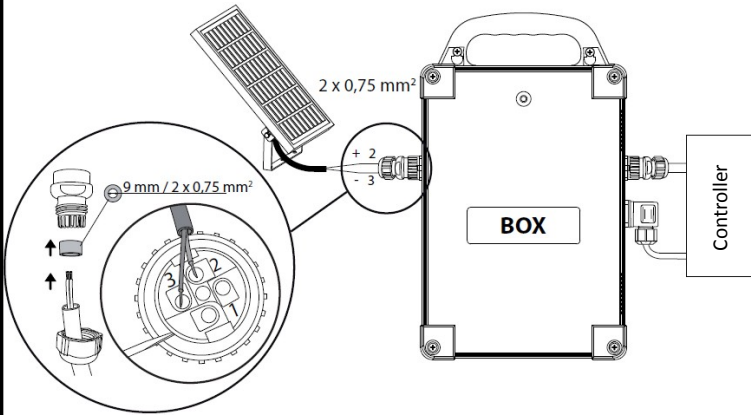




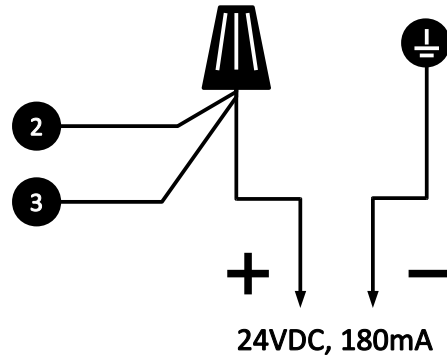




### ECOSOL CONNECTIONS TO LIBRA UL-R



### ALWAYS-ON ACCESSORY POWER



### DIPSWITCH PROGRAMMING

#### DIPSWITCH 1

Turn on when ECOSOL Double (external battery pack) is connected to Ecosol board.

#### DIPSWITCH 2

Turn on for transmitter activated transmitter learning.

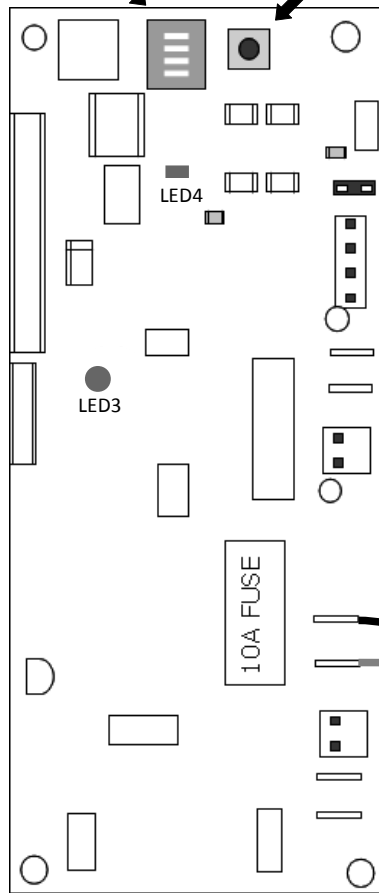
#### DIPSWITCH 3 & 4

initial command delay setting

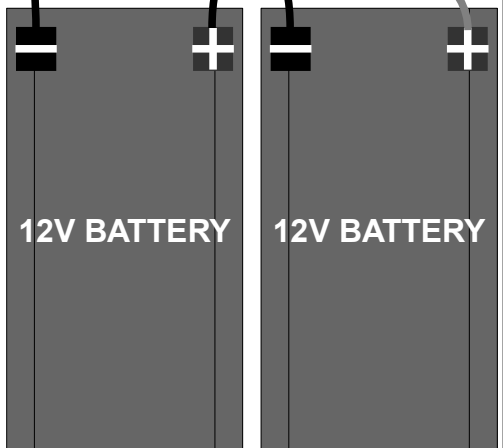
- All off: 1.3 seconds
- 3 On: 1.5 seconds
- 4 On: 1.7 seconds
- 3 & 4 On: 2.1 seconds

PROGRAMMING  
DIPSWITCHES

RADIO LEARN  
BUTTON



POWER  
JUMPER



### RADIO TRANSMITTER PROGRAMMING

1. Press RADIO LEARN BUTTON once. LED3 should blink once every second.
2. Press and hold the 2 top buttons on your transmitter until LED3 turns on solid.
3. Press the desired button on the transmitter. LED3 should blink rapidly for a second a goes back to a blink per second.
4. If additional transmitter needs to be learned, repeat steps 2 and 3 while LED3 is blinking.

*Product to be installed by a qualified installer  
Technical Support: 877-995-8155*