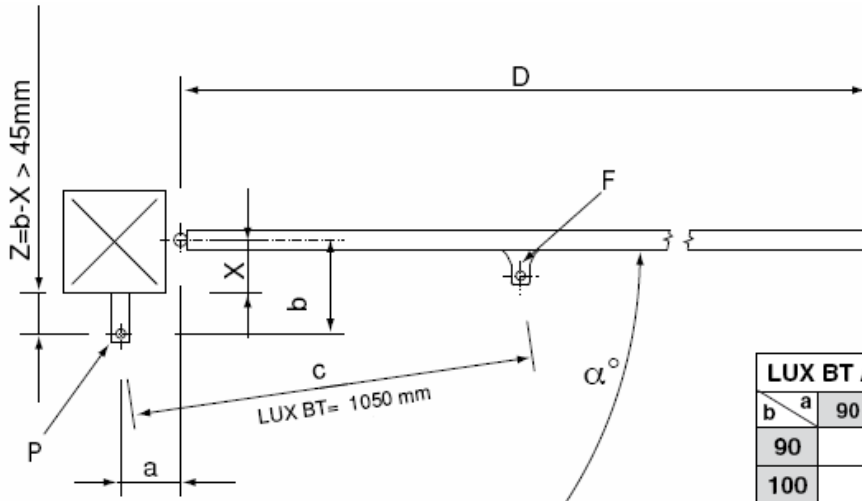


LUX BT - BT 2B



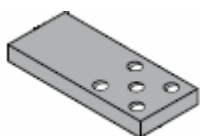
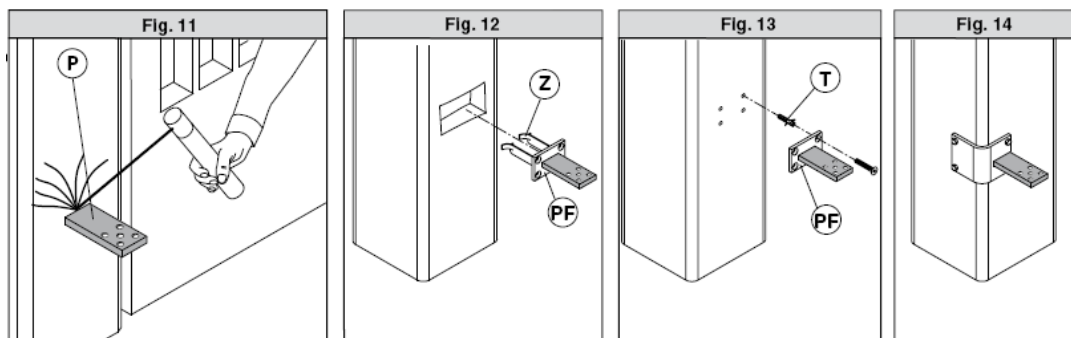
USER GUIDE

SETTING THE INSTALLATION QUOTES

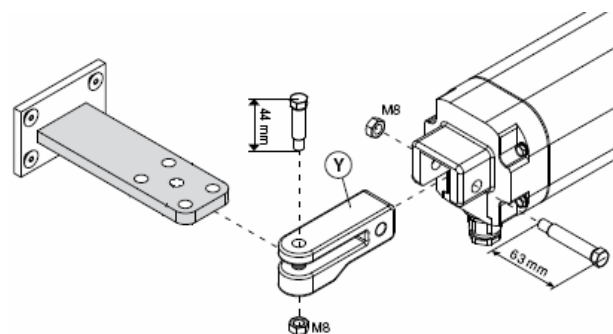


LUX BT / LUX 2 BT		mm							
b \ a	90	100	110	125	135	145	155	165	175
90					113	105	100	95	92
100					107	101	96	92	89
110				106	102	96	92	89	
125				100	95	90	87		
135			98	95	90				
145		94	96	90					
155		94	92						
165	90	93	87						
175	92	87							α°

FIXING THE OPERATOR TO THE POST



Adjustable rear bracket for LUX BT

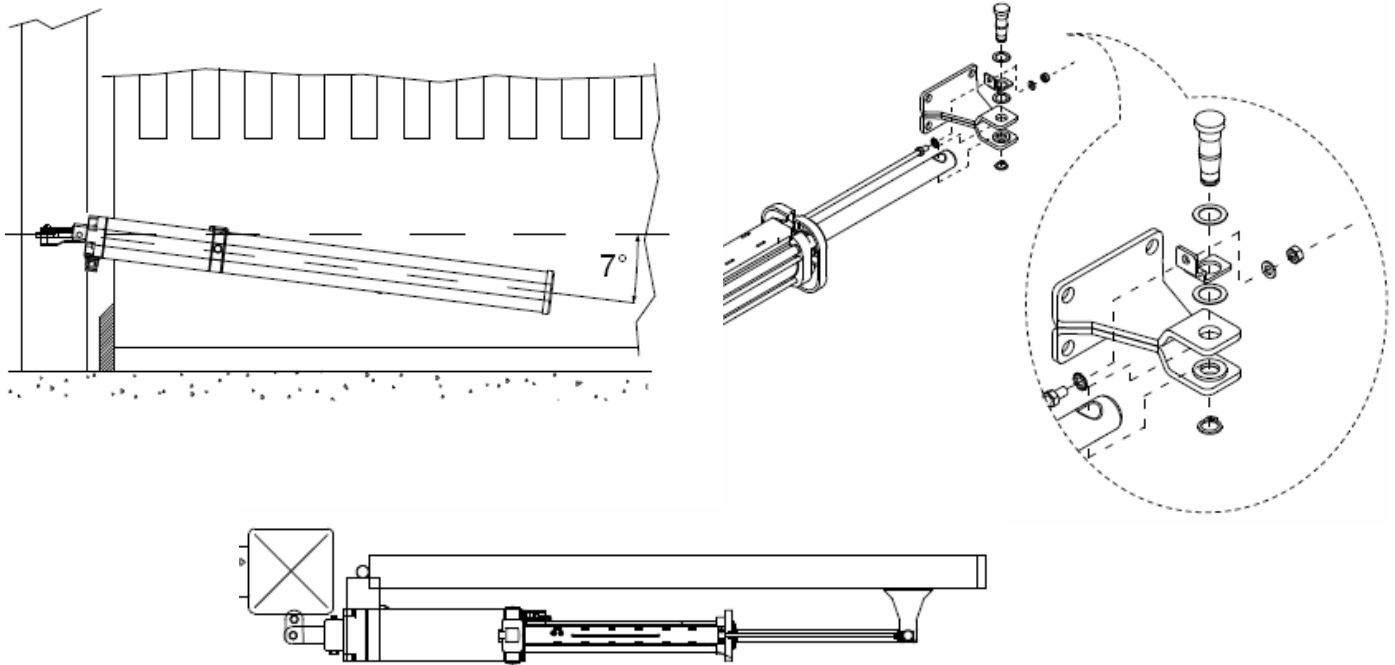




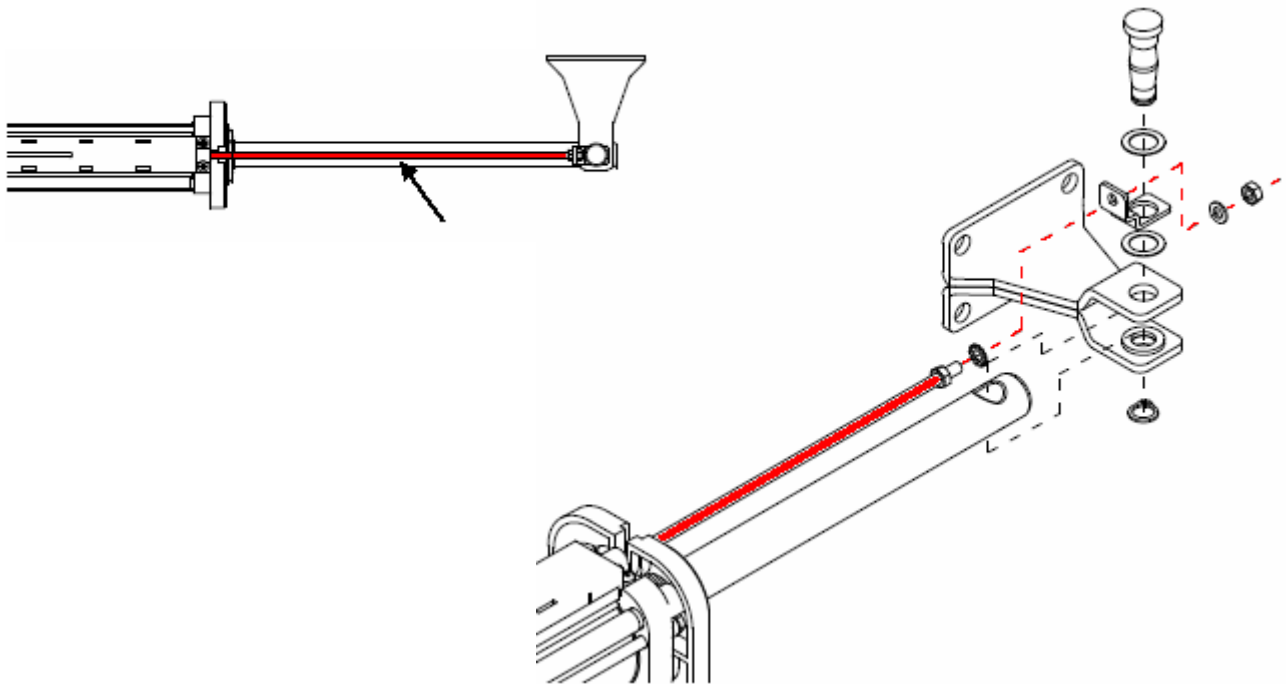
LUX BT - BT 2B

USER GUIDE

FIXING THE OPERATOR TO THE GATE



SETTING THE ENCODER ARM

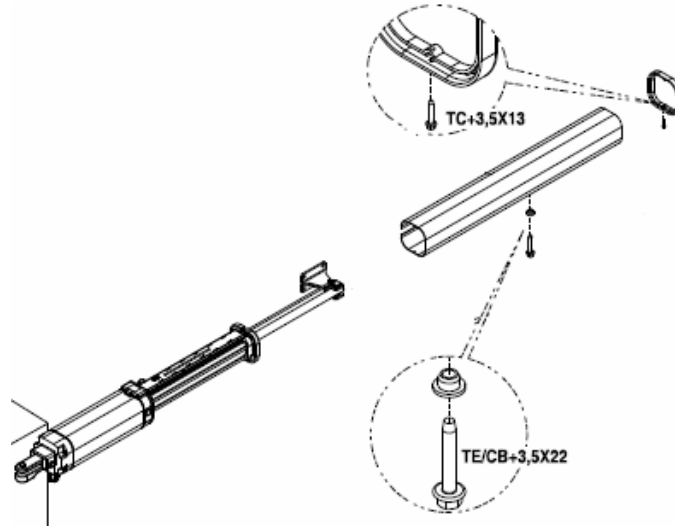


LUX BT - BT 2B

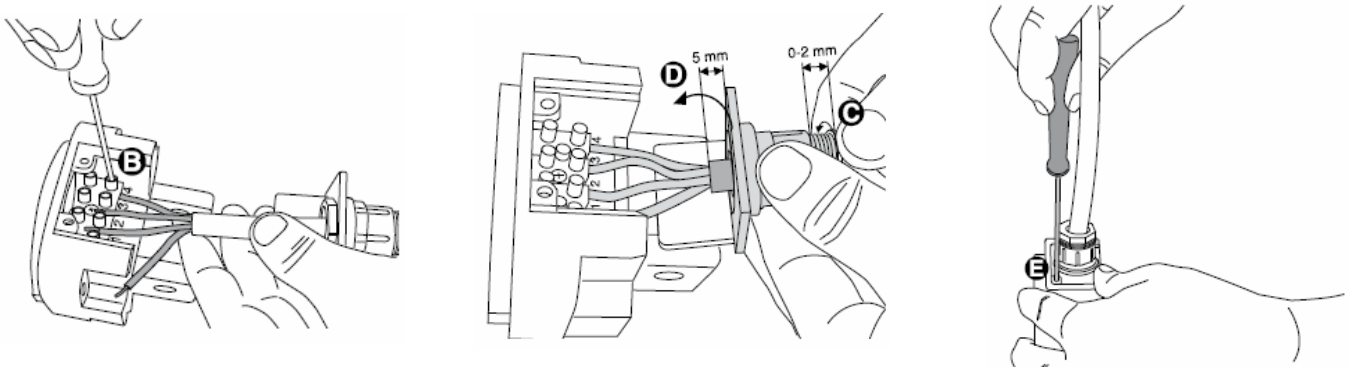


USER GUIDE

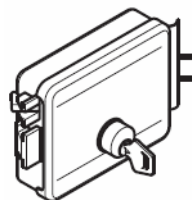
INSTALLING THE PISTON COVER



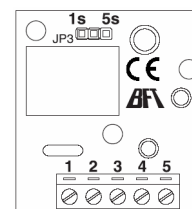
CABLING THE OPERATOR AND THE CONTROL BOARD



INSTALLING THE ELECTRIC LOCK (LUX BT)



D121017 - ECB SX
 D121016 - ECB DX
 D121018 - ECB VERTICAL
 Horizontal (Left and Right), Vertical,



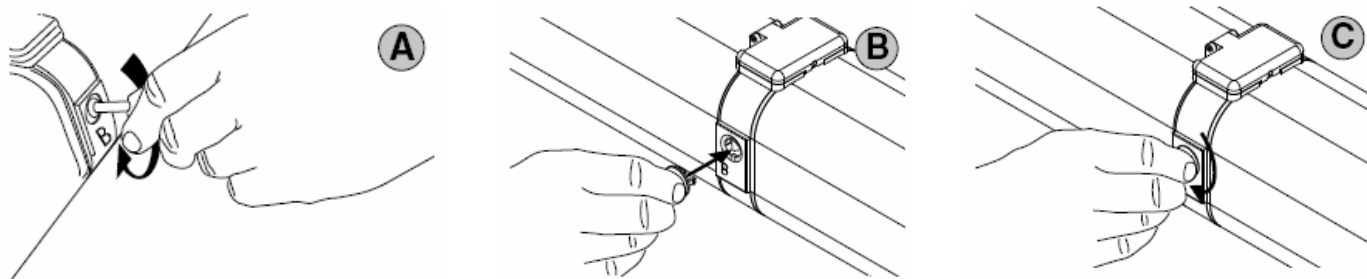
D111761 - ME BT
 Control board for electric lock



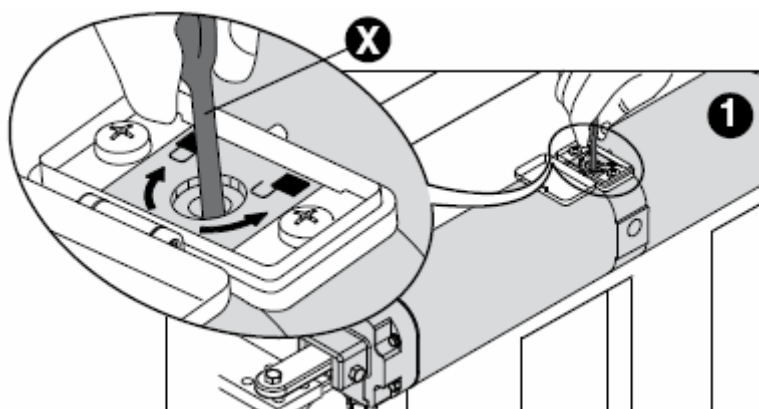
LUX BT - BT 2B

USER GUIDE

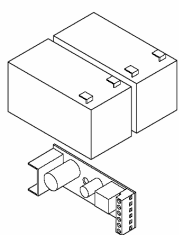
SETTING THE HYDRAULIC BLOCKS (LUX BT 2B)



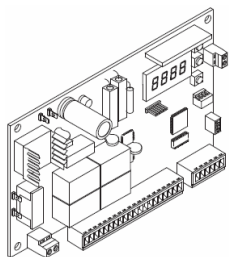
MANUAL RELEASE WITH KEY (LUX BT e LUX BT 2B)



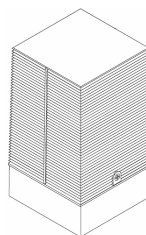
OTHER ACCESSORIES



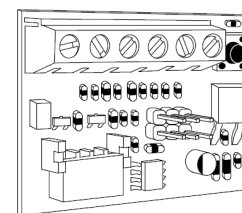
P125005 - BT BAT
Battery back up kit



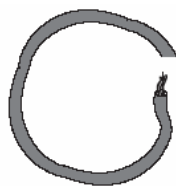
D113715 0002 - LIBRA C LX
Control board



D113686 0001 - LAMPO AI 24V
24V flashing light with built in
antenna



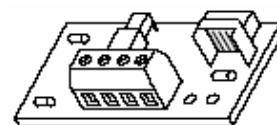
P111408 - SCS WIE
Control board to connect
Wiegand accessories



N999417 - CABLE LUX BT
100 m Power cable for
LUX BT



D113719 0003 - RAY X 24V
24 V flashing light with
built in antenna



P111376 - SCS 1
Control board for
serial connection