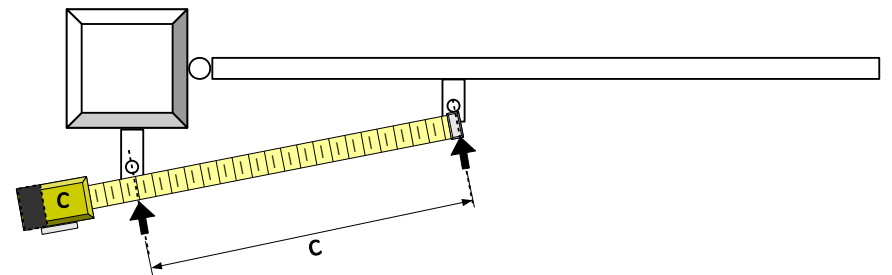
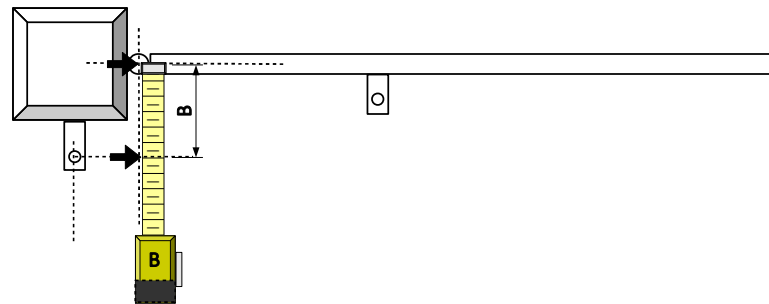
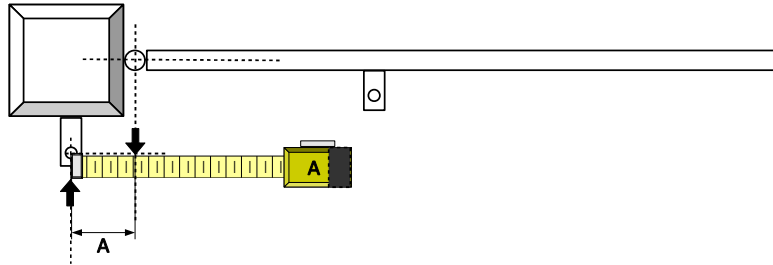


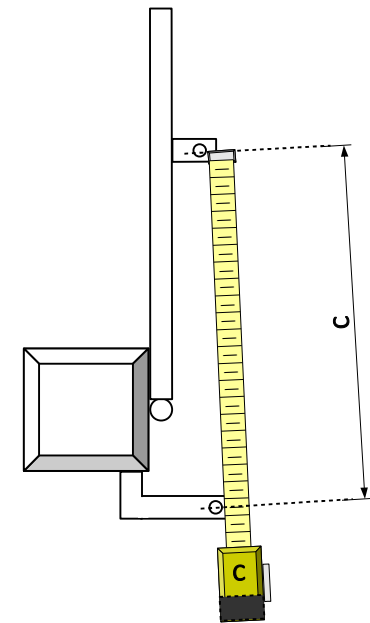
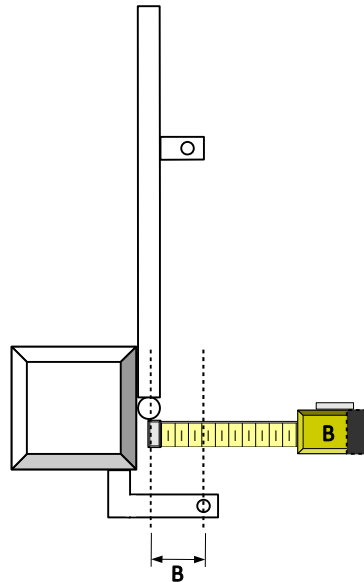
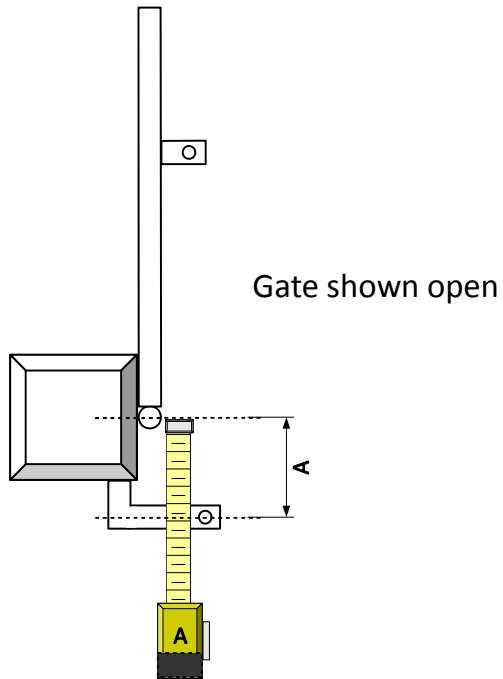
Bft geometry - Pull to open



Gate must be fully closed for this measurement

| Actuator | A & B | C |
|---------------|-------------|-------|
| Phobos BT | 5.5 | 39 |
| Phobos N BT | 5.25 ~ 5.75 | 27.5 |
| Phobos N L BT | 7 ~ 7.5 | 32 |
| Lux | 4.75 ~ 5.25 | 38.75 |
| Lux G | 7 ~ 7.5 | 48.75 |
| Lux BT | 5 ~ 5.25 | 41.25 |
| Lux G BT | 6.25 ~ 7.5 | 50.75 |

Bft geometry - Push to open



| Actuator | A & B | C |
|---------------|-------------|-------|
| Phobos BT | 5.5 | 39 |
| Phobos N BT | 5.25 ~ 5.75 | 27.5 |
| Phobos N L BT | 7 ~ 7.5 | 32 |
| Lux | 4.75 ~ 5.25 | 38.75 |
| Lux G | 7 ~ 7.5 | 48.75 |
| Lux BT | 5 ~ 5.25 | 41.25 |
| Lux G BT | 6.25 ~ 7.5 | 50.75 |