

SUB UL/CSA

RANGE

Underground hydraulic operator for swing gates

SUB UL/CSA

P930012 00007 - SUB R UL/CSA DX
P930012 00008 - SUB R UL/CSA SX
P930010 00007 - SUB G UL/CSA DX
P930010 00008 - SUB G UL/CSA SX

DX = Motor on right hand side of driveway from inside the property.
SX = Motor on left hand side of driveway from inside the property.



UL CSA
COMPLIANT

A MODEL FOR EVERY NEED

- Two versions available, for 125° and 180° opening angles.

SAFE USE

- Anti-crushing protection guaranteed by two adjustable bypass valves.

SIMPLER INSTALLATION

- Maintenance is carried out without any need to raise or disassemble the gate.
- The special foundation case makes it possible to remove the operator without taking off the gate leaf.

TECHNICAL FEATURES

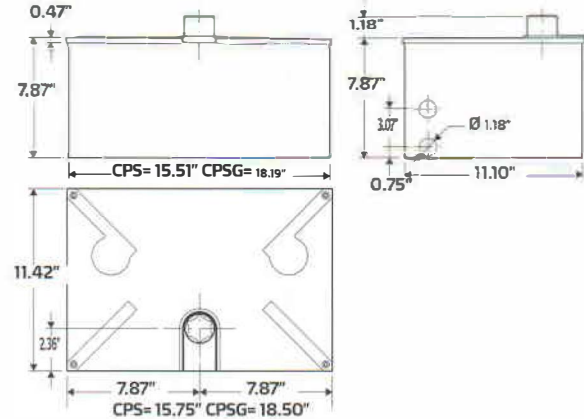
	SUB R UL/CSA	SUB G UL/CSA
Control panels	RIGEL 4 UL/CSA (suggested)	RIGEL 4 UL/CSA (suggested)
Reversible/irreversible operator	irreversible	irreversible
Power supply	120 V 60 Hz single-phase	120 V 60 Hz single-phase
Absorbed power	0.33 hp (250W)	0.33 hp (250W)
Opening or closing time	14 s	33 s
Impact reaction	hydraulic clutch	hydraulic clutch
Lock	hydraulic opening/closing	hydraulic opening/closing
Manual release	fast key release	fast key release
Operating cycle	intensive use	intensive use
Environmental conditions	from 14°F to + 140°F	from 14°F to + 140°F
Degree of protection	IP67	IP67
Operator weight	48lb	53lb
Degree of opening	125°	180°



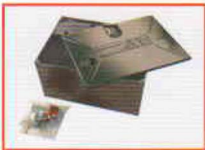
Be ahead

SUB UL/CSA

DIMENSIONS



ACCESSORIES



N733066 00001 - CPS DX
Bearing foundation case for SUB operator (right hand). Maintenance can be carried out without disassembling the gate.



N733066 00002 - CPS SX
Bearing foundation case for SUB operator (left hand). Maintenance can be carried out without disassembling the gate.



N733092 - CPS G
Bearing foundation case for either left hand or right hand SUB G operator. Maintenance can be carried out without disassembling the gate.



D111704 - SSR5
Traffic light and preheating board for RIGEL 5 control panel.



D113050/110 - SPL 120V
Pre-heating board for 1 or 2 LUX, SUB, P4,5-P7 and E5 operators. Can be fitted inside control panels RIGEL 4 UL/CSA, ALCOR UL/CSA.



D610256 - CLS/82
Release key for Sub.



KD113693 00001 - RIGEL 5 WITH CAPACITORS
Fuse value: transformer 2A T, logic 1A T.



D113236 00003 RIGEL 4 UL/CSA
Small enclosure



KERIG5C020U RIGEL 5 LE
12" x14" large fiberglass enclosure. Pre-wired with Rigel5



N733392
SCC Release for SUB for use with FCS Box only



N728002 - BSC
SUB sliding arm.



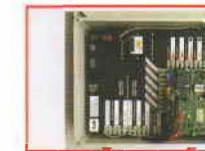
D730177 - PFS
Foundation plate for SUB and SUB G.



BFT-1200MLKIT - 1200 LB MAGLOCK KIT
Magnetic lock Kit including bracket, relay and power supply.



N73348000001 FCS BOX
For use with SCC above ground release key



KERIG4C010U RIGEL 4 LE
12" x14" large fiberglass enclosure. Pre-wired with Rigel4



Be ahead