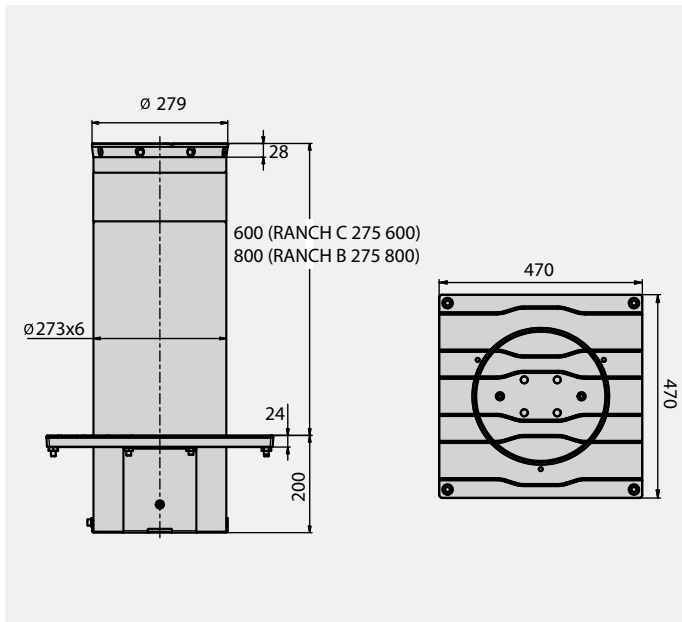


Fixed bollards used for preventing access for long periods. Bolted to the ground, their purpose is to block an access point or a road. They can integrate the use of automatic or semi-automatic bollards.

Dimension (mm)



Technical features

	RANCH C 275/600CN L	RANCH C 275/600CN LI	RANCH C 275/800CN L	RANCH C 275/800CN LI
Operator type	Fixed bollards	Fixed bollards	Fixed bollards	Fixed bollards
Rod height	600 mm	600 mm	800 mm	800 mm
Rod thickness	3 mm	3 mm	3 mm	3 mm
Rod diameter	275 mm	275 mm	275 mm	275 mm
Rod treatment	RAL 7015 painted steel	brushed AISI 316 stainless steel and reflective film	RAL 7015 painted steel	brushed AISI 316 stainless steel and reflective film
Rod fixing	3 bolts	3 bolts	3 bolts	3 bolts




Code	Name	Description
P970102 00002	RANCH C 275/600CN L	Fixed bollard used for preventing access for long periods. Height 600 mm and diameter 275 mm. Version with lights and shaft in RAL 7015 painted steel. Flange not included Painted steel High breakage resistance
P970102 00004	RANCH C 275/600CN LI	Fixed bollard used for preventing access for long periods. Height 600 mm and diameter 275 mm. Version with lights and shaft in stainless steel. Flange not included Stainless steel High breakage resistance
P970103 00002	RANCH C 275/800CN L	Fixed bollard used for preventing access for long periods. Height 800 mm and diameter 275 mm. Version with lights and shaft in RAL 7015 painted steel. Flange not included Painted steel High breakage resistance
P970103 00004	RANCH C 275/800CN LI	Fixed bollard used for preventing access for long periods. Height 800 mm and diameter 275 mm. Version with lights and shaft in stainless steel. Flange not included Stainless steel High breakage resistance

RECOMMENDED ACCESSORIES

	P800104 - ALLU		P800109 - FLANGE RANCH C
	Power supply for Gas and Fixed Bollards with Lights 24 Vac (up to 80 bollards)		Flange for Ranch C

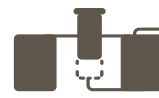
 U-Link
 New
 Phase-out


 U-Control app
 pag. 17


 Accessories
 pag. 226

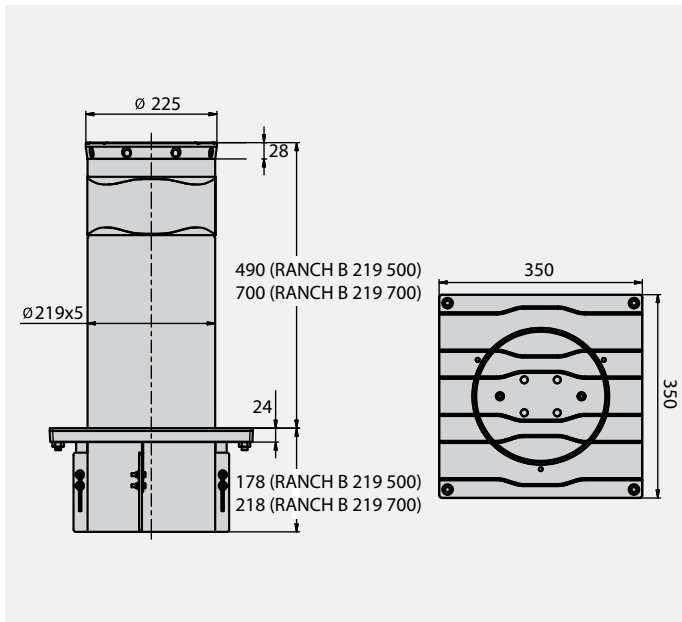
accessories for control units
 set of batteries for control units
 expansion boards
 software
 receivers
 transmitters
 control devices

P. 226 signalling devices
 P. 226 safety devices - photocells and accessories
 P. 227 safety devices - sensitive edges
 P. 228 rubber profiles
 P. 228 solenoid locks
 P. 229 release systems
 P. 230
 P. 231
 P. 232
 P. 233
 P. 233
 P. 234
 P. 235



Fixed bollards used for preventing access for long periods. Bolted to the ground, their purpose is to block an access point or a road. They can integrate the use of automatic or semi-automatic bollards.

Dimension (mm)



Technical features

	RANCH B 219/500	RANCH B 219/500 I	RANCH B 219/500 L	RANCH B 219/500 LI	RANCH B 219/700	RANCH B 219/700 I
Operator type	Fixed bollards	Fixed bollards	Fixed bollards	Fixed bollards	Fixed bollards	Fixed bollards
Rod height	500 mm	500 mm	500 mm	500 mm	700 mm	700 mm
Rod thickness	3 mm	3 mm	3 mm	3 mm	3 mm	3 mm
Rod diameter	220 mm	220 mm	220 mm	220 mm	220 mm	220 mm
Rod treatment	Cataphoresis	Stainless steel	Cataphoresis	Stainless steel	Cataphoresis	Stainless steel
Rod fixing	3 bolts J	3 bolts J	3 bolts J	3 bolts J	3 bolts J	3 bolts J

	RANCH B 219/700 L	RANCH B 219/700 LI
Operator type	Fixed bollards	Fixed bollards
Rod height	700 mm	700 mm
Rod thickness	3 mm	3 mm
Rod diameter	220 mm	220 mm
Rod treatment	Cataphoresis	Stainless steel
Rod fixing	3 bolts J	3 bolts J




Code	Name	Description
P970081 00001	RANCH B 219/500	Fixed bollard with shaft diameter 220 mm and height 500 mm. RAL 7015 painted steel version Cataphoresis
P970081 00003	RANCH B 219/500 I	Fixed bollard with shaft diameter 220 mm and height 500 mm. Stainless steel version Stainless steel
P970081 00002	RANCH B 219/500 L	Fixed bollard with shaft diameter 220 mm and height 500 mm. RAL 7015 painted steel version with LED light cap Lights
P970081 00004	RANCH B 219/500 LI	Fixed bollard with shaft diameter 220 mm and height 500 mm. Stainless steel version with LED light cap Lights and s/steel
P970082 00001	RANCH B 219/700	Fixed bollard with shaft diameter 220 mm and height 700 mm. RAL 7015 painted steel version Cataphoresis
P970082 00003	RANCH B 219/700 I	Fixed bollard with shaft diameter 220 mm and height 700 mm. Stainless steel version Stainless steel
P970082 00002	RANCH B 219/700 L	Fixed bollard with shaft diameter 220 mm and height 700 mm. RAL 7015 painted steel version with LED light cap Lights
P970082 00004	RANCH B 219/700 LI	Fixed bollard with shaft diameter 220 mm and height 700 mm. Stainless steel version with LED light cap Lights and s/steel

RECOMMENDED ACCESSORIES

	P800104 - ALLU				
	Power supply for Gas and Fixed Bollards with Lights 24 Vac (up to 80 bollards)				

 U-Link
 New
 Phase-out


U-Control app
pag. 17


Accessories
pag. 226

accessories for control units
set of batteries for control units
expansion boards
software
receivers
transmitters
control devices

P. 226 signalling devices
P. 226 safety devices - photocells and accessories
P. 227 safety devices - sensitive edges
P. 228 rubber profiles
P. 228 solenoid locks
P. 229 release systems
P. 230
P. 231
P. 232
P. 233
P. 233
P. 234
P. 235