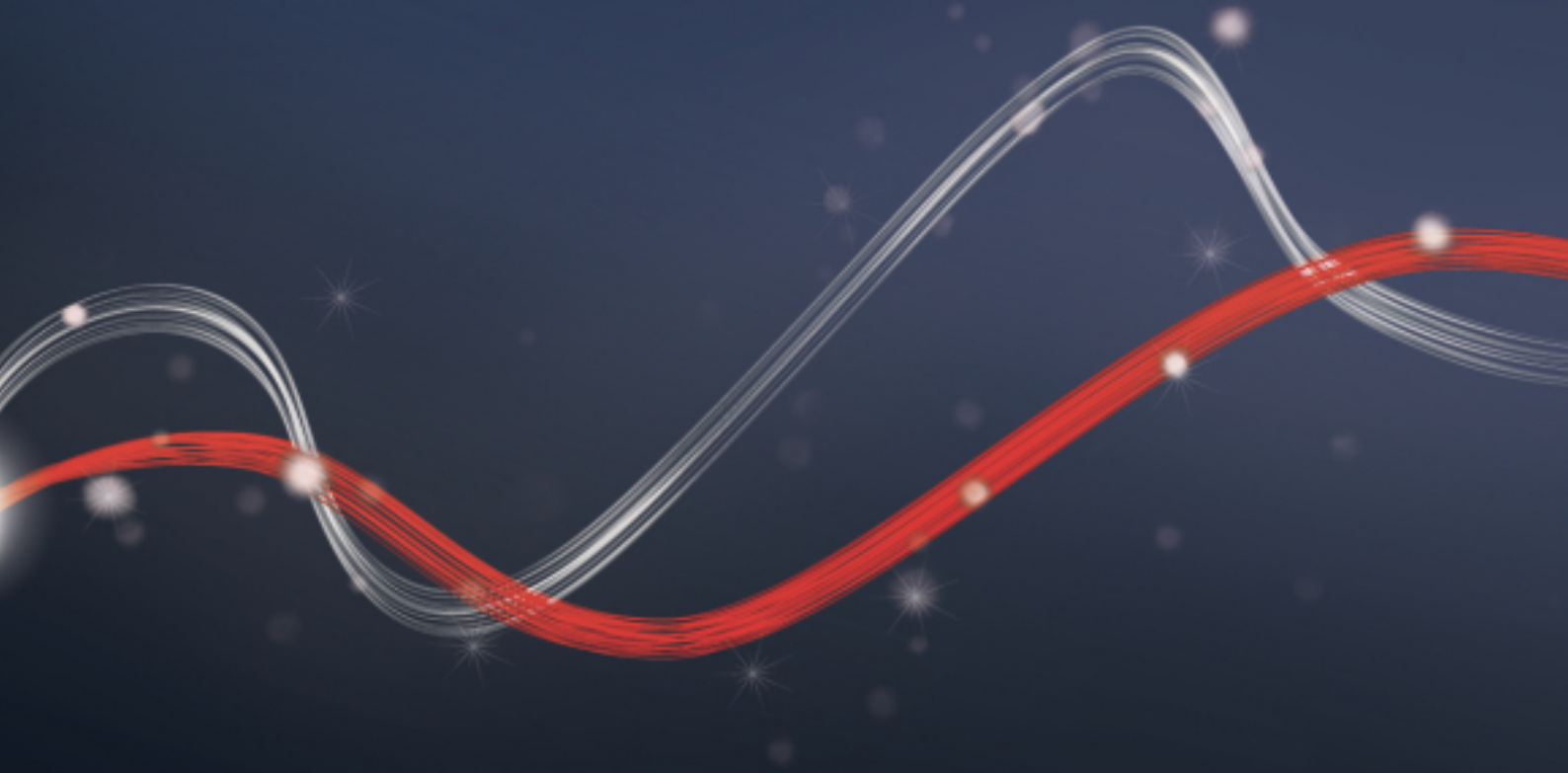




Be ahead



GIUNO ULTRA BT A





GIUNO ULTRA BT A



Product

• ADVANTAGES
• PLUS

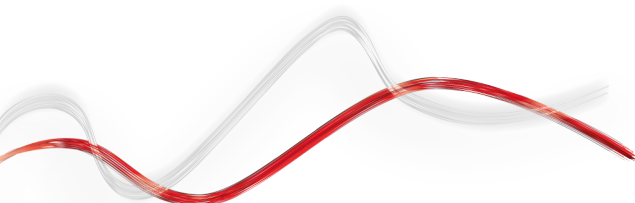
• CONTROL UNIT

• ACCESSORIES

• DISCOVER U-LINK



-  ee link
-  24 V
-  er ready
-  d-track
-  U-Link



· Product

· **ADVANTAGES**
· **PLUS**

· CONTROL UNIT

· ACCESSORIES

· **DISCOVER U-LINK**

ADVANTAGES

Magnetic limit switches: the new magnetic limit switches ensure high precision of the stop positions on closing and on opening. In addition they're easy to be adjusted, reducing the installation time, and they increase the total reliability of the operator

Interconnectivity for everyone: thanks to Thalia P G control units the operators Giuno Ultra BT A are compatible with the U-Link communication protocol, the forefront interconnectivity platform of BFT.

PLUS



Control unit with display: for easy scenario programming. U-Link: full interconnectivity with other devices via Bluetooth, RS-485, TCP/IP.



Selectable block system: the operators can be converted to reversible, with opening block, closing block or double block. All this by simply turning a key.



New magnetic limit switch: together with D-Track technology, offers extreme precision of maneuver and positioning. Double sensor system to define in detail end of the maneuver slowdowns. High reliability against dust, water and ice.

· Product

· ADVANTAGES
· PLUS

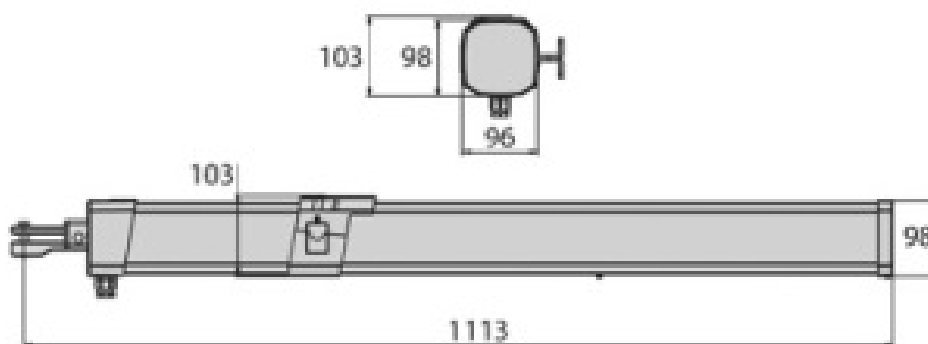
· CONTROL UNIT

· ACCESSORIES

· DISCOVER U-LINK

THALIA P G D113747 00005 Recommended**Control panel for one or two 24V operators for swing gates, for highly complex systems**

- Application: control panel for one or two 24V operators for swing gates
- Board power supply: 230V single-phase
- Operators power supply: 24Vdc 240W max each operator
- Main features: removable terminal blocks with new standard colour-coding, simplified scenario-based programming with display and incorporated dual channel receiver, D-Track anti-crushing system, slowdown during opening and closing and electronic self-learning
- Main features: automatic closing, rapid closing, partial opening, operation with deadman feature, direct connection powered solenoid lock and electromagnet, direct connection edge 8K2.
- Compatibility: LIBRA C MA, LIBRA C LX, LIBRA, LIBRA R, LIBRA MA R



Product

ADVANTAGES
PLUS

CONTROL UNIT

ACCESSORIES

DISCOVER U-LINK

	Code	Name	Description
	N733426	ARB LUX	Pair of front and rear adjustable brackets for LUX operator - ARB LUX
	N733474	ARB LUX G	Adjustable front and rear bracket for LUX G operator
	D111904	MITTO B RCBO2 R1	Transmitter with 2 channels. Range 50/100 m. Power supply 12 V with 1 battery type 23 A
	P111526	DESME A15	Pair of self-aligning photocells. Range 30 m. Power supply 24 V ac/dc. Pair of self-aligning photocells. Range 30 m. Power supply 24 V ac/dc.
	P111528	THEA A15 O.PF	Pair of adjustable photocells with integrated flashing light. Possibility of directing the beam 40 ° horizontally and 10 ° vertically. IR signal synchronised to prevent any risk of blinding. Range 30 m. Power supply 24 V ac/dc. For external application.
	P903018	PHP	Pair of aluminium posts for THEA/DESME series photocells Height 522 mm
	N190104	BIR C	Rubber safety edge (H 30 mm), price per m
	P121023	Q.BO KEY WM AV	Vandalproof key selector with double contact, for outdoor use. Metal structure. Vandalproof key selector with metal structure. Vandalproof key selector with double contact, for outdoor use. Metal structure.
	P121022	Q.BO KEY WM	Key selector for outdoor use with double contact. Key selector for outdoor use with double contact.
	P121024	Q.BO TOUCH	Wireless digital touchpad with 433MHz rolling code operation. Manages up to 10 channels and 100 codes.
	D113748 00003	RADIUS B LTA 24 R1	Flashing light with incorporated antenna for motors with power supply 24 V.
	D113749 00003	RADIUS B LTA 24 R2	Flashing light without incorporated antenna for motors with power supply 24 V.
	P123026	B OO R01	Metal guard for B LTA
	P123025	B OO R02	Wall mounting for B LTA series flashing beacons
	P125020	BBT BAT	Set of backup batteries for THALIA and THALIA P



· Product

· ADVANTAGES
· PLUS

· CONTROL UNIT

· ACCESSORIES

· DISCOVER U-LINK

What is U-Link?

The innovative technology that gives you new power

An exclusive Bft innovation: U-Link (Universal Link) is an exclusive Bft platform that allows the creation of technological ecosystems. In Home Automation Access, it allows communication with all the home access automation devices of any brand. So you save time and can control everything with ease, without any worries.

It is intuitive

Easy to install and use

It is scalable

Allows an unlimited number of devices to be added

It is flexible

Allows the creation of groups of interconnected products

It is practical

Works with or without a web connection

It is functional

Parameters can be controlled remotely via dedicated applications

· Product

· ADVANTAGES
· PLUS

· CONTROL UNIT

· ACCESSORIES

· DISCOVER U-LINK

All in one scheme: discover this amazing technology

A unique platform **allowing the creation of technological ecosystems** offering a wide range of solutions for different sectors.

Thanks to the B-Eba cards and the Clonix U-Link receiver, this proprietary platform featured by Bft products adapts to any protocol and access automation product (even BFT, non-native U-Link or non-BFT products), and is used in various sectors. Each device thus becomes smart and can be interconnected with other systems, thanks to a language that becomes universal.

U-Base 2



Software to install and easily and comfortably carry out maintenance and identify any malfunction of U-link compatible operators.

U-SDK



U-SDK is the innovative application that can make Bft automation systems compatible and easily integrated with a BMS network for the supervision of buildings.



Magistro

An innovative and easy to install system for easily managing all home automation systems.



U-Control

U-Control is the application that helps the quick and easy integration of BFT automation systems in large building management systems.



Blue-Entry

Technology abreast of the times and attentive to daily needs: thanks to the use of U-link the house gate can now be opened with just your smartphone.



Clonix U-Link

Allows the connection of non-native U-Link products or non-Bft products to U-Link systems.

Bft operators, non-native U-Link products or a product belonging to other brands: can they be connected to U-Link? Yes, thanks to the Clonix receivers. Accessories that know no limits.

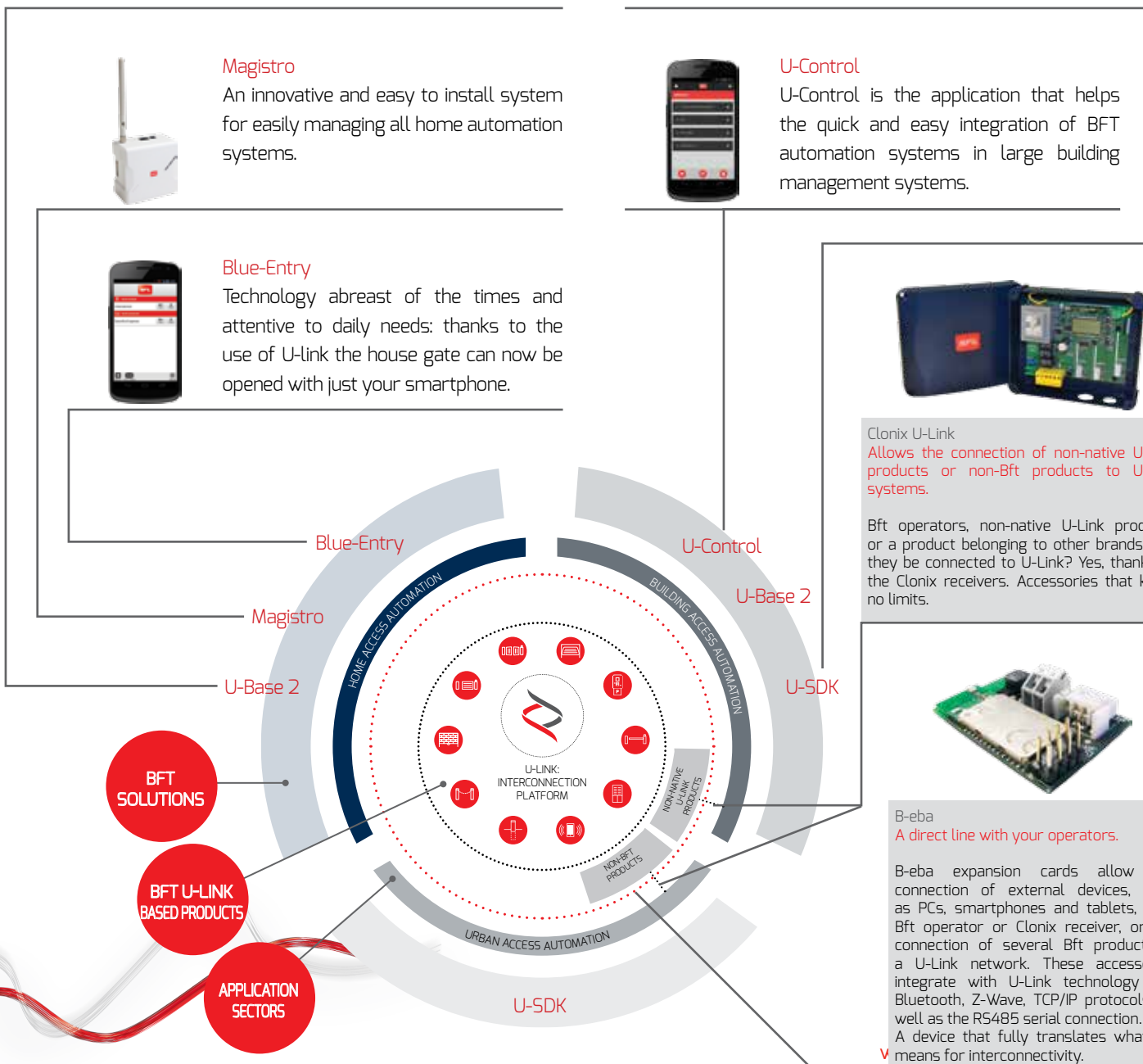


B-eba

A direct line with your operators.

B-eba expansion cards allow the connection of external devices, such as PCs, smartphones and tablets, to a Bft operator or Clonix receiver, or the connection of several Bft products in a U-Link network. These accessories integrate with U-Link technology and Bluetooth, Z-Wave, TCP/IP protocols, as well as the RS485 serial connection.

A device that fully translates what Bft means for interconnectivity.





INFORMATION REGARDING THE PROTECTION OF THE INDUSTRIAL AND INTELLECTUAL PROPERTY RIGHTS OF BFT. BFT S.p.A. protects its industrial property by depositing trademarks, patents, models and designs. The intellectual property of BFT S.p.A. is protected by copyright law. BFT S.p.A. also protects its know-how by taking measures to protect the technical and commercial information inherent in its company and products. All the products in this catalogue are ORIGINAL BFT MODELS and only BFT S.p.A is authorised to produce them and market them anywhere in the world. All the commercial names in this catalogue are owned by BFT S.p.A., and only BFT S.p.A. is authorised to use them in relation to the corresponding merchandise category. FALSIFIERS WILL BE PROCEEDED AGAINST IN ACCORDANCE WITH BOTH CIVIL AND CRIMINAL LAW. THESE CONDITIONS NOT ONLY GUARANTEE THE INTELLECTUAL PROPERTY RIGHTS OF BFT, BUT ALSO PROTECT CUSTOMERS BY GUARANTEEING THAT THE PRODUCTS THEY ARE PURCHASING ARE ORIGINAL BFT PRODUCTS RESULTING FROM STUDIES AND DESIGNS WITHIN THE BFT COMPANY.