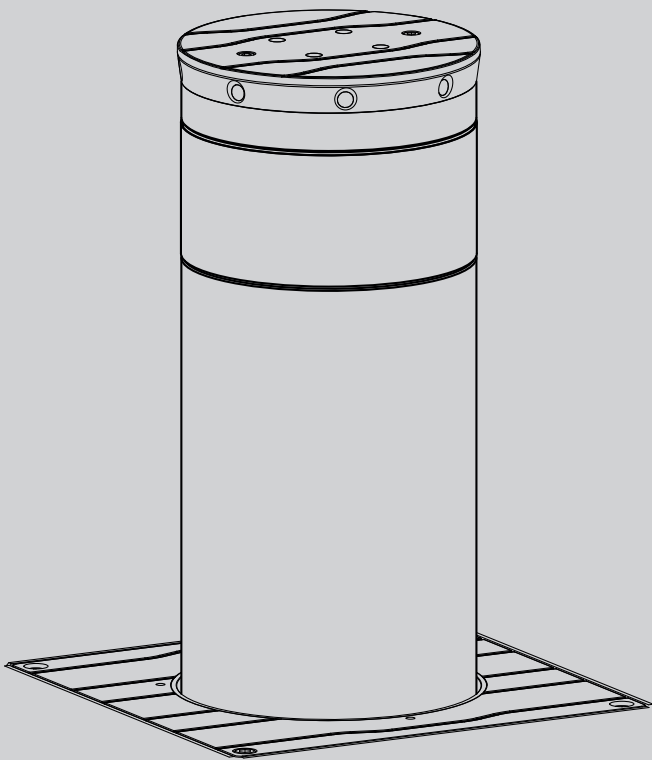


DISSUASORE DI PASSAGGIO E SOSTA
 ANTI-TRANSITING AND WAITING RETRACTABLE BOLLARD
 BORNE ANTI-ACCES ET ANTI-STATIONNEMENT
 VERSENKBARER POLLER ZUR SPERRUNG VON DURCHFARTEN UND HALTEZONEN
 DISUASOR DE TRANSITO y ESTACIONAMIENTO
 CONDICIONADOR DE TRÁNSITO e ESTACIONAMENTO



ISTRUZIONI D'USO E DI INSTALLAZIONE
 INSTALLATION AND USER'S MANUAL
 INSTRUCTIONS D'UTILISATION ET D'INSTALLATION
 INSTALLATIONS-UND GEBRAUCHSANLEITUNG
 INSTRUCCIONES DE USO Y DE INSTALACION
 INSTRUÇÕES DE INSTALAÇÃO

STOPPY MBB 219 - 500.C
 STOPPY MBB 219 - 700.C
 STOPPY CASE 500
 STOPPY CASE 700



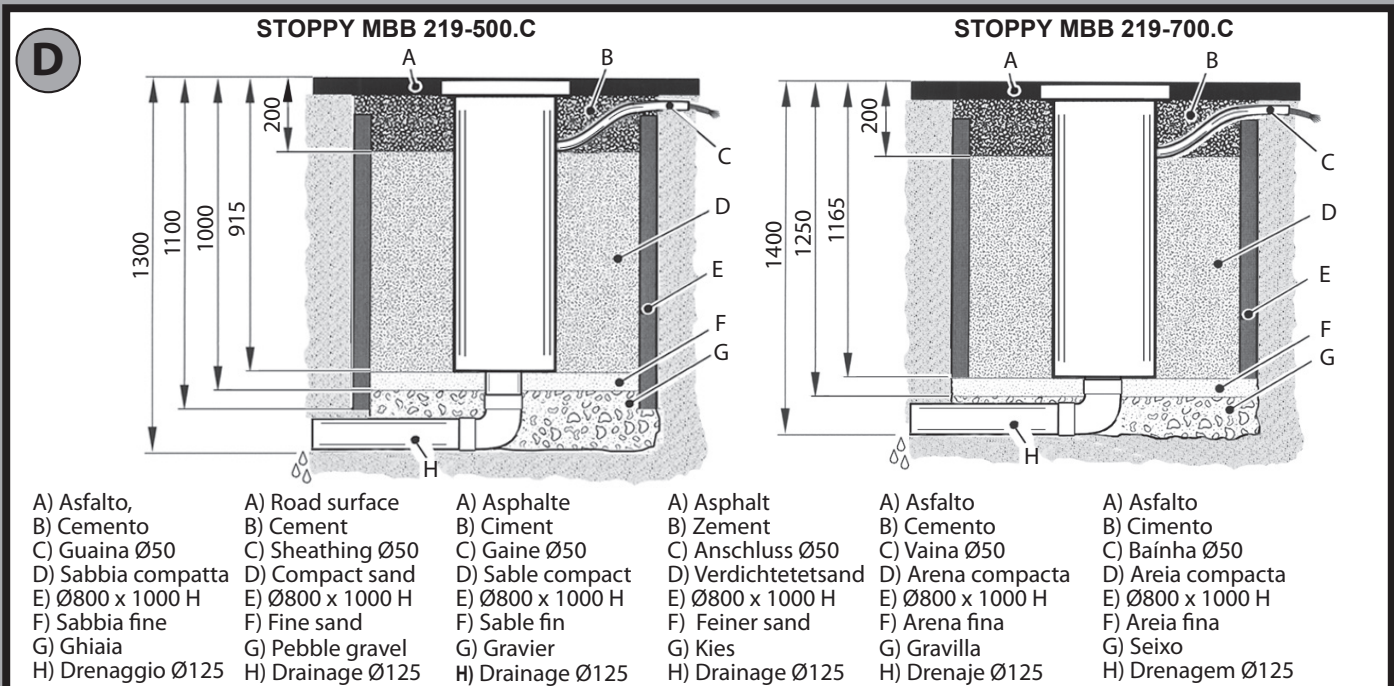
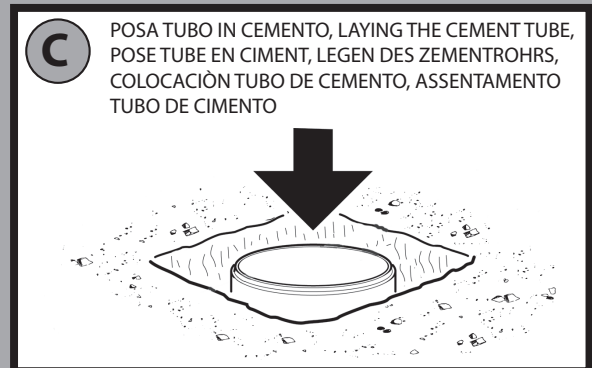
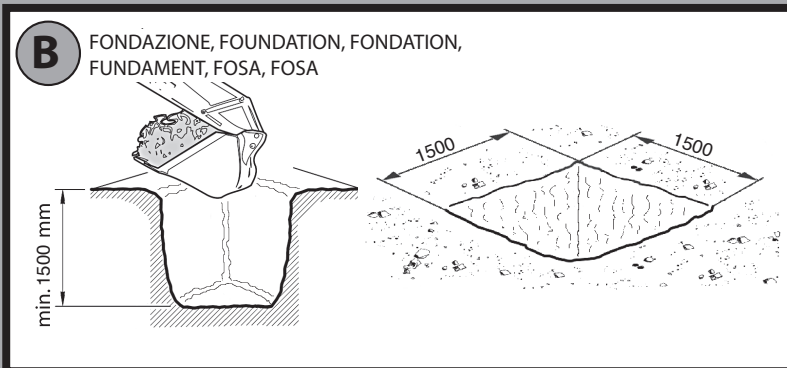
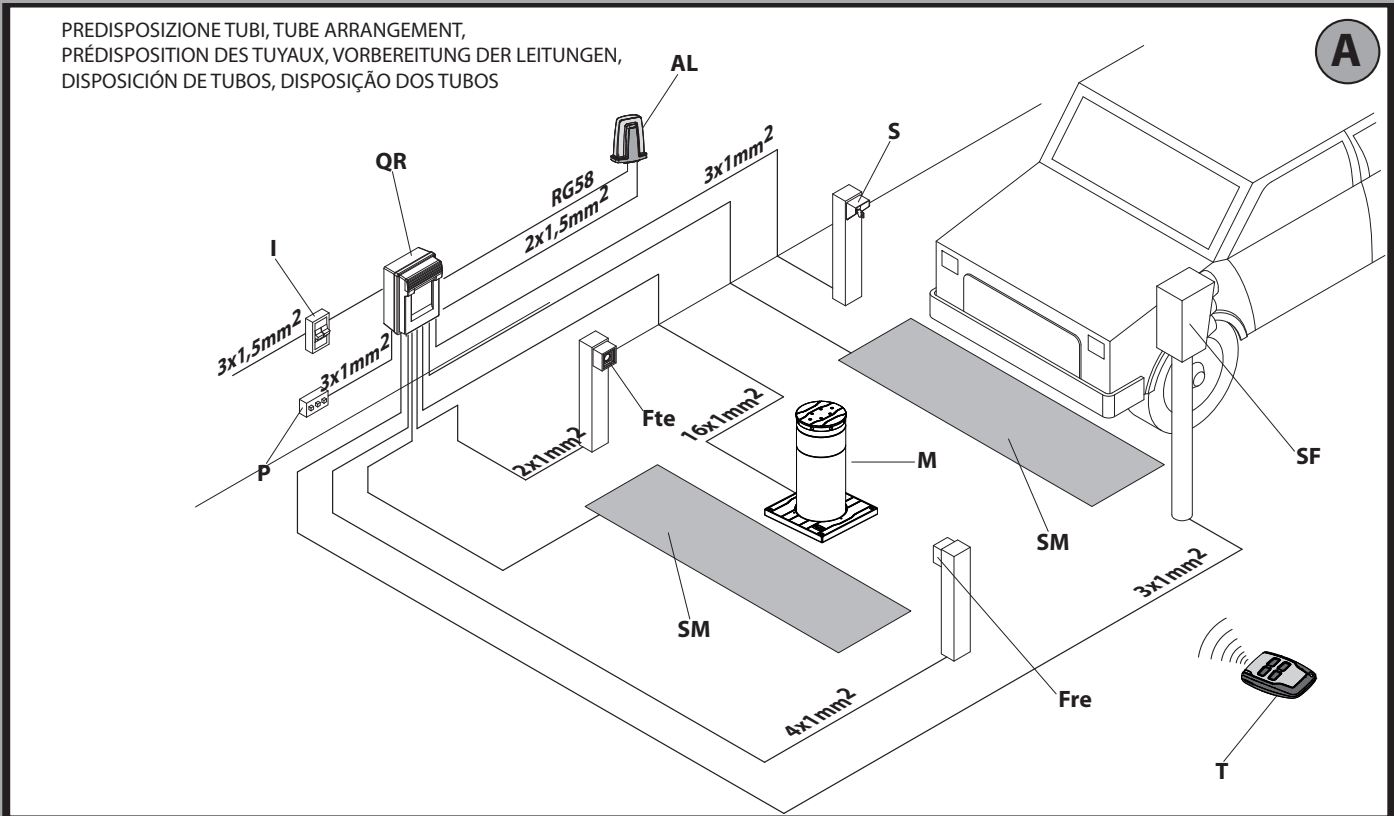
AZIENDA CON SISTEMA DI GESTIONE
 INTEGRATO CERTIFICATO DA DNV
 = UNI EN ISO 9001:2008 =
 UNI EN ISO 14001:2004

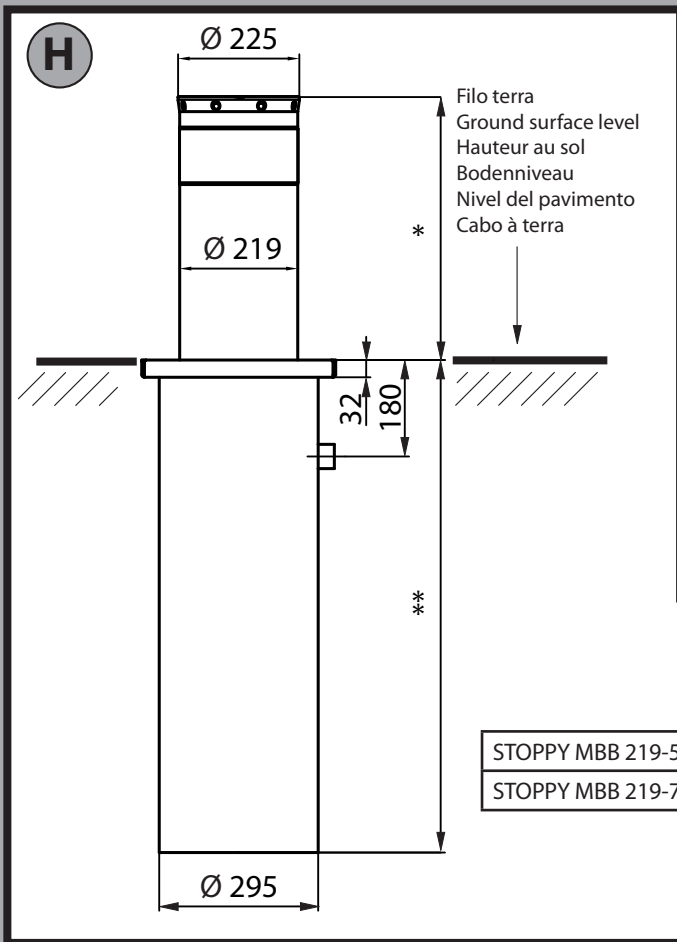
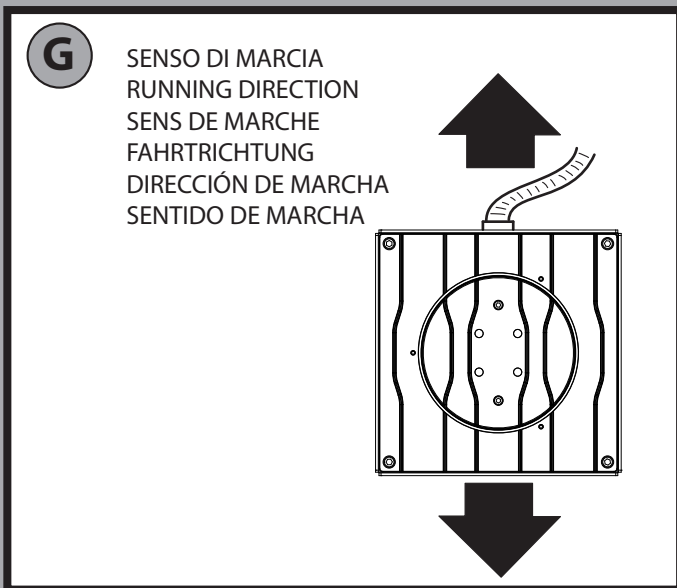
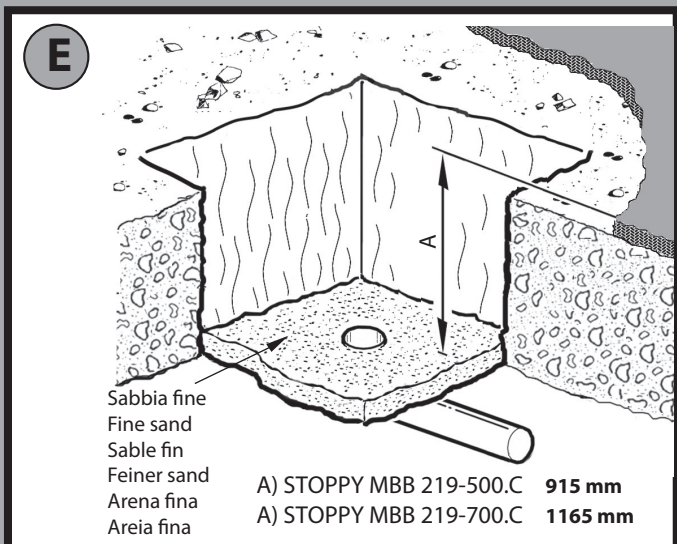
INSTALLAZIONE VELOCE-QUICK INSTALLATION-INSTALLATION RAPIDE SCHNELLINSTALLATION-INSTALACIÓN RÁPIDA - INSTALAÇÃO RÁPIDA

D811943_02

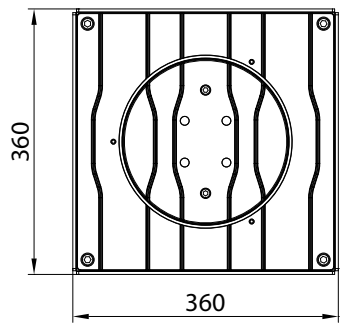
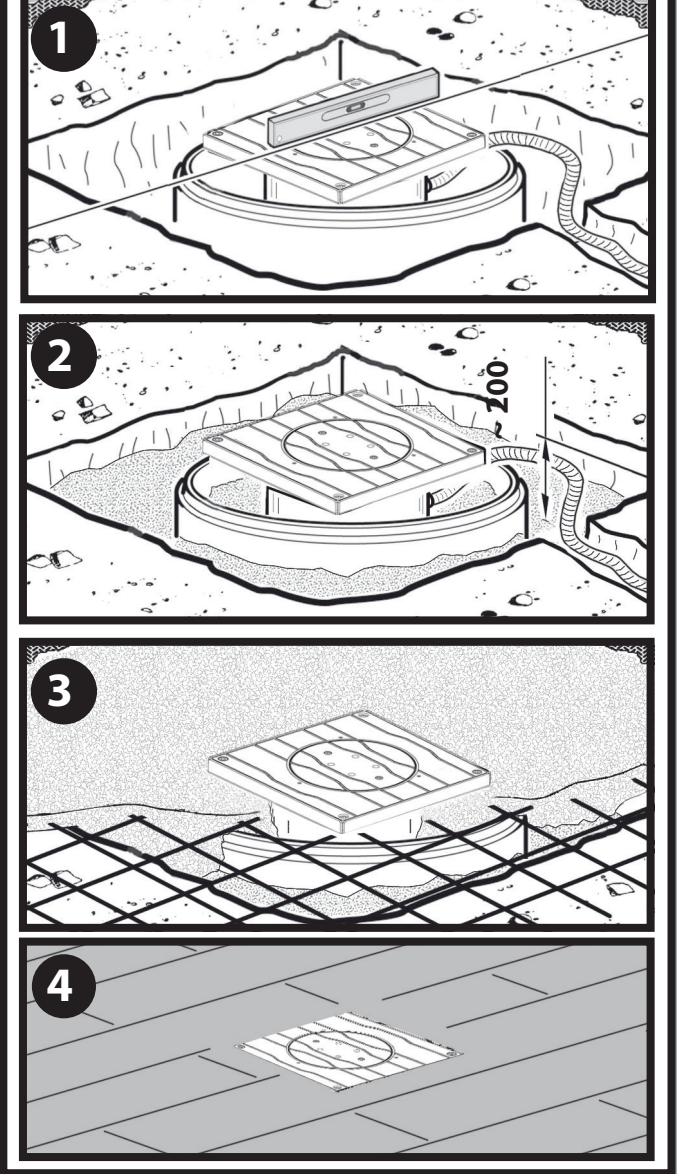


- a) Prima di iniziare con l'installazione bisogna leggere le avvertenze.
 a) Before commencing installation, make sure you read the warnings.
 a) Avant de commencer l'installation lisez les avertissements.
 a) Vor der Installation müssen die Hinweise gelesen werden.
 a) Antes de comenzar con la instalación es necesario leer las advertencias.
 a) Antes de iniciar a instalação é preciso ler as advertências.
- b) Oltre alle figure, bisogna seguire le indicazioni date nel paragrafo corrispondente a pag.5
 b) In addition to the figures, you must follow the instructions given in the relevant section on page 7
 b) Suivez non seulement les figures mais aussi les indications données dans le paragraphe correspondant à la page 9
 b) Außer den Abbildungen müssen die Angaben im entsprechenden Abschnitt auf Seite 6 befolgt werden 11
 b) Además de las figuras, es necesario seguir las indicaciones dadas en el apartado correspondiente en pág. 13
 b) Além das figuras, é preciso seguir as indicações dadas no parágrafo correspondente na pág.15

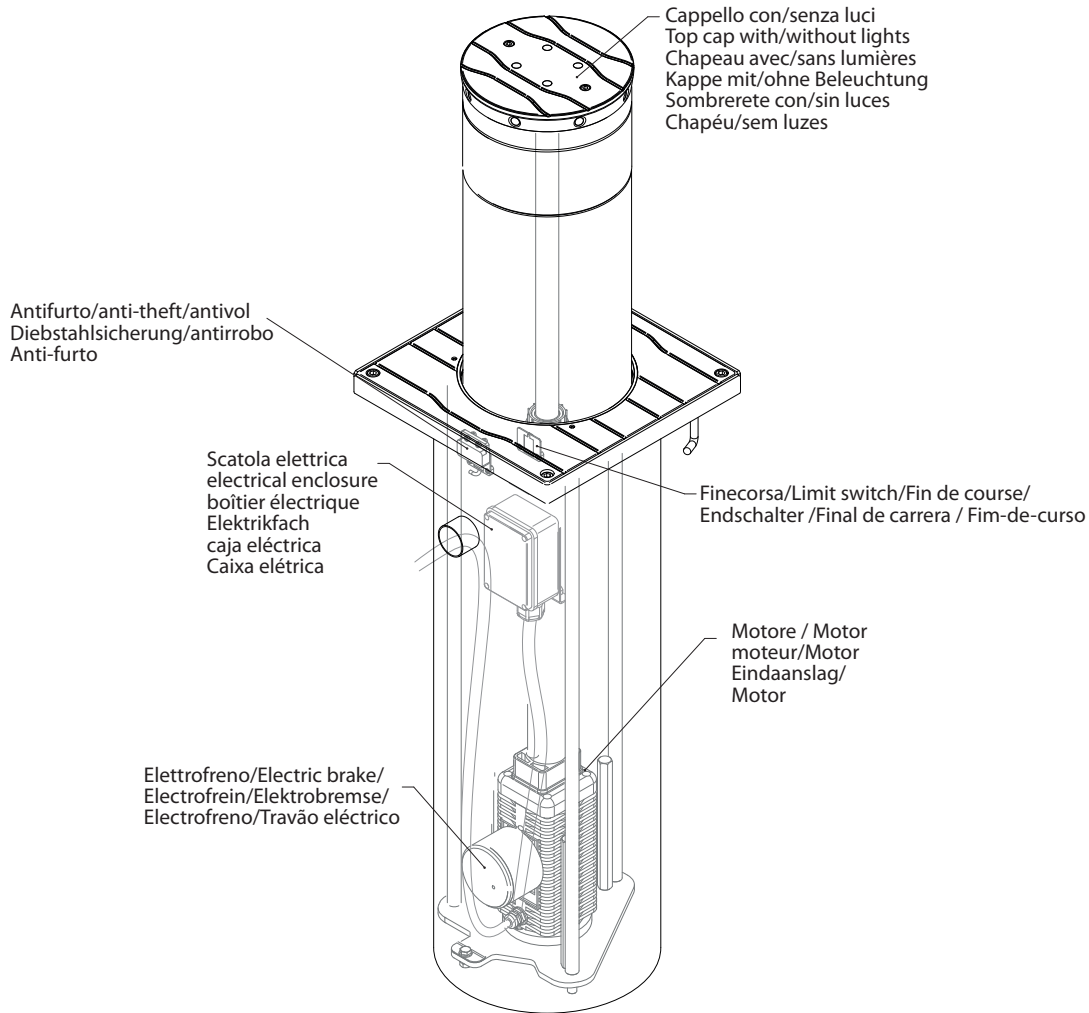




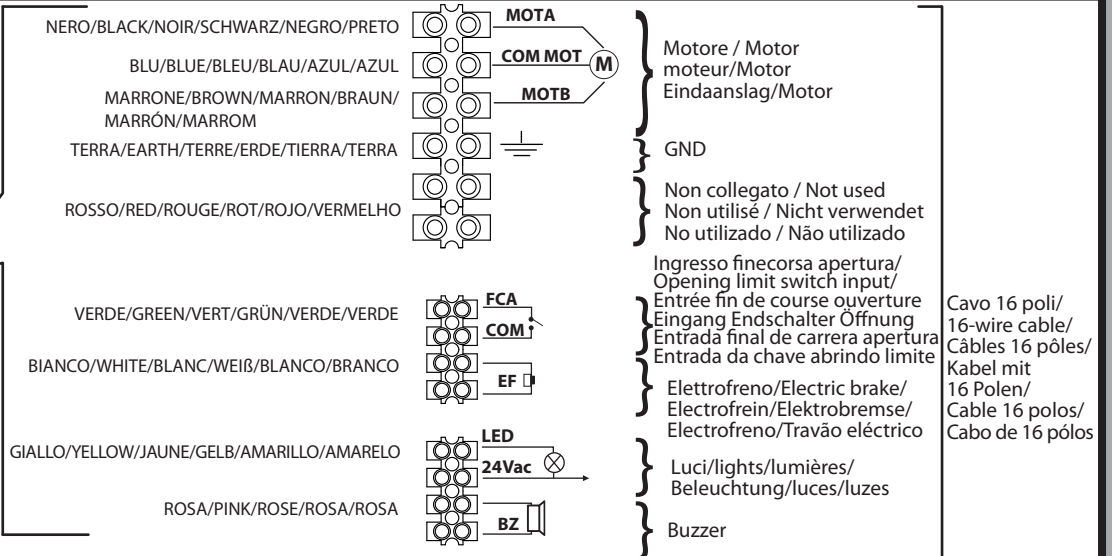
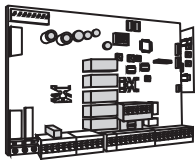
- F**
- 1 LIVELLARE COL PIANO STRADALE / LEVEL WITH THE ROAD SURFACE / NIVELER SUR LE PLAN DE LA ROUTE / MIT DER STRASSENEBENE AUSRICHTEN / NIVELAR CON EL NIVEL DE LA CALZADA/ NIVELAR COM A SUPERFÍCIE DA ESTRADA
 - 2 RIEMPIRE DI SABBIA FINO A ~200 mm DAL PIANO STRADALE / FILL WITH SAND TO ~200 MM FROM THE ROAD SURFACE / REMPLIR AVEC DU SABLE JUSQU'À ~200MM DU PLAN DE LA ROUTE / BIS AUF ~200 MM VON DER STRASSENEBENE MIT SAND BEFUELLEN / LLENAR DE ARENA HASTA ~200 MM DEL NIVEL DE LA CALZADA/ ENCHER COM AREIA ATÉ ~200 mm DA SUPERFÍCIE DA ESTRADA
 - 3 POSARE LA RETE ELETTRORISALDATA / LAY THE ELECTROWELDED MESH / POSER LA GRILLE ELECTRO-SOUDÉE / DIE BAUSTAHLMATTE VERLEGEN / COLOCAR LA REJILLA ELECTROSOLDADA/ ASSENTAMENTO DA REDE DE ARMADURA
 - 4 COMPLETARE LA PAVIMENTAZIONE / FLOORING COMPLETION / COMPLETER LE SOL / DEN BODENBELAG FERTIGSTELLEN / TERMINAR EL PAVIMENTO/ COMPLETAR A PAVIMENTAÇÃO



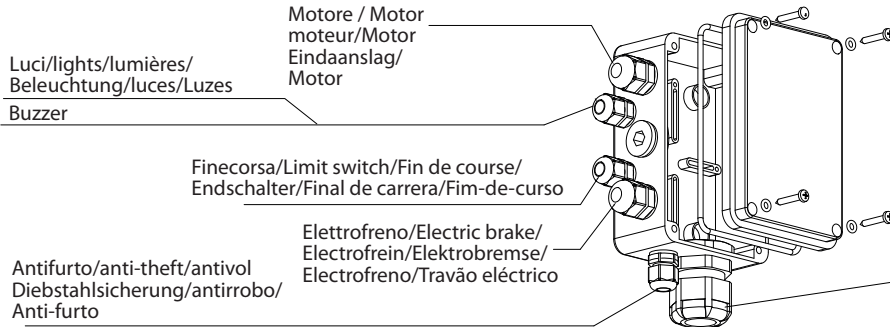
I



L



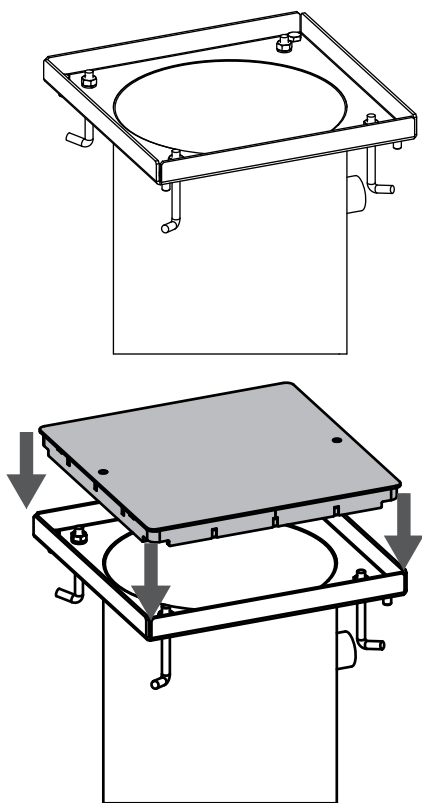
Cavo 16 poli/
16-wire cable/
Câbles 16 pôles/
Kabel mit
16 Polen/
Cable 16 polos/
Cabo de 16 pólos



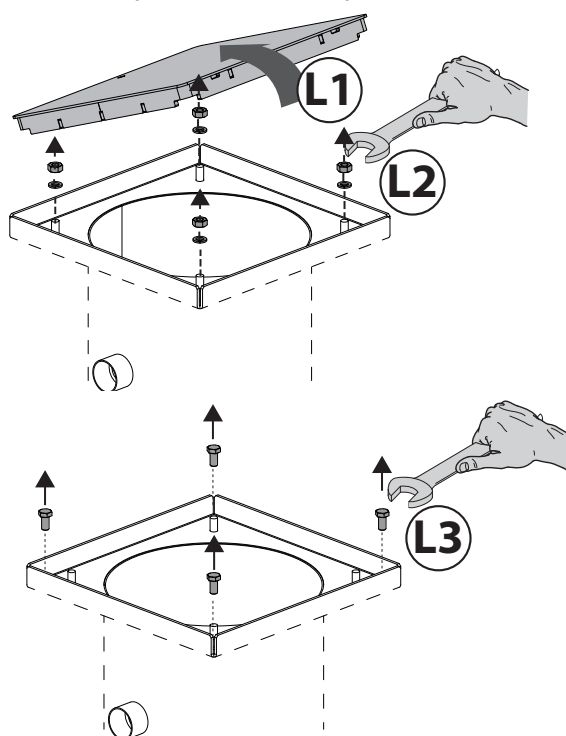
Cavo 16 poli/
16-wire cable/
Câbles 16 pôles/
Kabel mit
16 Polen/
Cable 16 polos/
Cabo de 16 pólos

INSTALLAZIONE OPERATORE CON PREDISPOSIZIONE CASSAFORMA OPERATOR INSTALLATION IN READY INSTALLED FOUNDATION BOX INSTALLATION DE L'OPÉRATEUR AVEC PRÉDISPOSITION PUISARD INSTALLATION DES TRIEBES MIT VORBEREITUNG DES KASTENS INSTALACIÓN OPERADOR CON DISPOSICIÓN ENCOFRADO INSTALAÇÃO DO OPERADOR COM PREDISPOSIÇÃO DA COFRAGEM

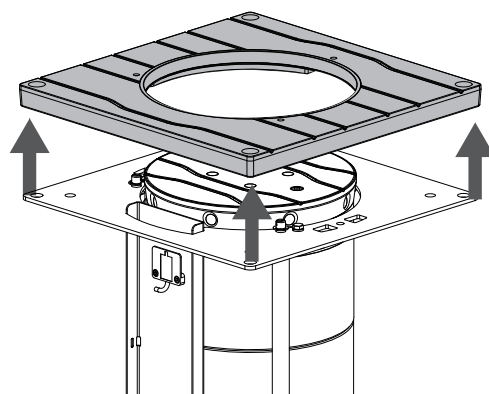
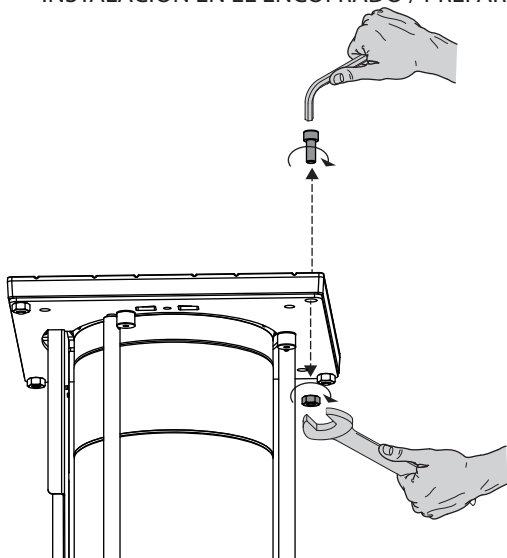
K PREINSTALLAZIONE CASSA DI FONDAZIONE VUOTA
 PRE-INSTALLING THE EMPTY FOUNDATION BOX
 PRÉINSTALLATION DU PUISARD VIDE
 VORINSTALLATION DES LEEREN FUNDAMENTKASTENS
 PREINSTALACIÓN CAJA DE CIMENTACIÓN VACÍA
 PRÉ-INSTALAÇÃO DA CAIXA DE FUNDAÇÃO VAZIA



L PREPARAZIONE CASSA DI FONDAZIONE PER
 INSTALLAZIONE OPERATORE / PREPARING THE
 FOUNDATION BOX FOR OPERATOR INSTALLATION /
 PRÉPARATION DU PUISARD POUR INSTALLER
 L'OPÉRATEUR / VORBEREITUNG DES
 FUNDAMENTKASTENS FÜR DIE INSTALLATION DES
 TRIEBES / PREPARACIÓN CAJA DE CIMENTACIÓN PARA
 INSTALACIÓN OPERADOR / PREPARAÇÃO DA CAIXA
 DE FUNDAÇÃO PARA INSTALAÇÃO DO OPERADOR



M PREPARAZIONE DISSUASORE PER L'INSTALLAZIONE NELLA CASSAFORMA / PREPARING THE BOLLARD FOR
 INSTALLATION IN THE FOUNDATION BOX / PRÉPARATION DE LA BORNE ESCAMOTABLE POUR L'INSTALLATION DANS LE
 PUISARD / VORBEREITUNG DES POLLERS FÜR DIE INSTALLATION IM KASTEN / PREPARACIÓN DISUASOR PARA LA
 INSTALACIÓN EN EL ENCOFRADO / PREPARAÇÃO DO DISSUASOR PARA A INSTALAÇÃO NA COFRAGEM



N POSIZIONAMENTO CAVO DI ALIMENTAZIONE / POSITIONING THE POWER CABLE
 MISE EN PLACE DU CÂBLE D'ALIMENTATION / POSITIONIERUNG DES KABELS DER
 STROMVERSORGUNG / POSICIONAMIENTO CABLE DE ALIMENTACIÓN
 POSICIONAMENTO DO CABO DE ALIMENTAÇÃO

PERSEO CBD 230.P SD

O INSERIMENTO DISSUASORE NELLA CASSA DI FONDAZIONE / INSERTING THE BOLLARD IN THE FOUNDATION BOX /
 INTRODUCTION DE LA BORNE ESCAMOTABLE DANS LE PUISARD / EINSETZEN DES POLLERS IN DEN FUNDAMENTKASTEN
 / INTRODUCCIÓN DISUASOR EN LA CAJA DE CIMENTACIÓN / INTRODUÇÃO DO DISSUASOR NA CAIXA DE FUNDAÇÃO

01

V1

03

02

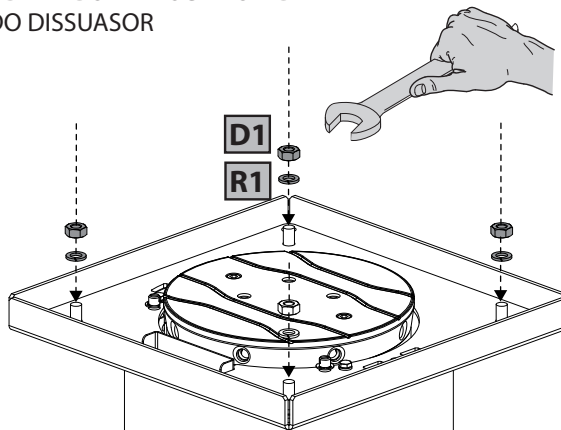
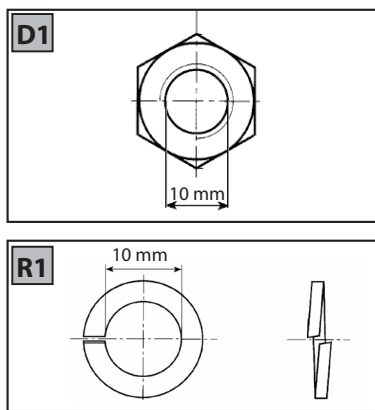
Posizione discesa
 Lowered position
 position descente
 Position Absenkung
 Posición bajada
 Posição de descida

30°

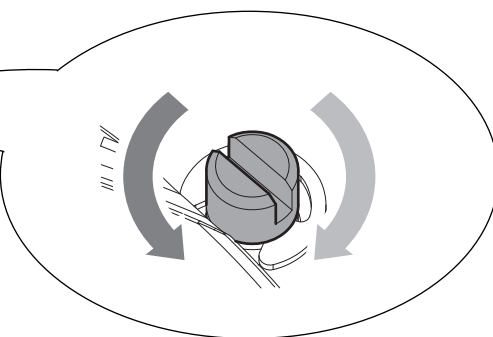
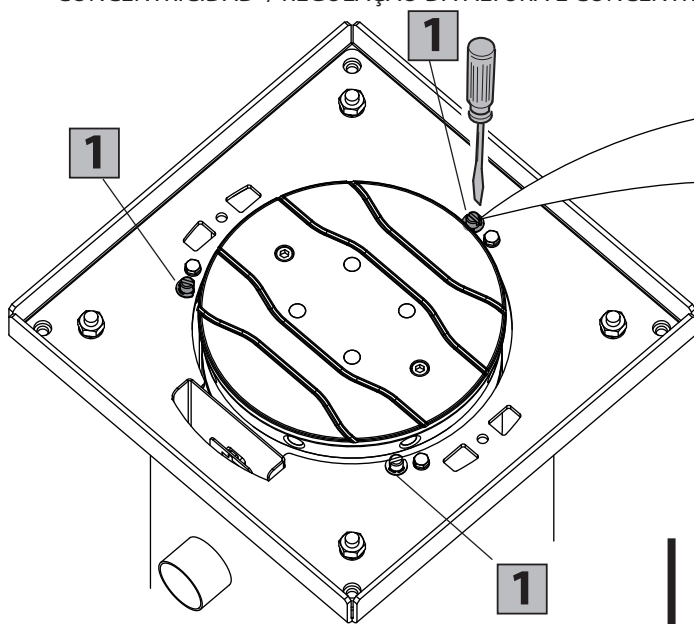
A circa da 10 cm da terra ruotare in senso antiorario
 Approx. 10 cm above the ground, turn anticlockwise
 A environ 10 cm du sol faites tourner en sens antihoraire
 Auf ca.10 cm vom Boden in Gegenuhrzeigersinn drehen
 Aproximadamente 10 cm del suelo girar en el
 sentido contrario a las agujas del reloj
 A cerca de 10 cm do chão girar no sentido anti-horário

~10 cm

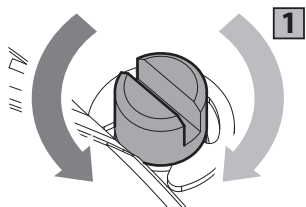
P FISSAGGIO DISSUASORE / FASTENING THE BOLLARD / FIXATION DE LA BORNE ESCAMOTABLE
BEFESTIGUNG DES POLLERS / FIJACIÓN DISUASOR / FIXAÇÃO DO DISSUASOR



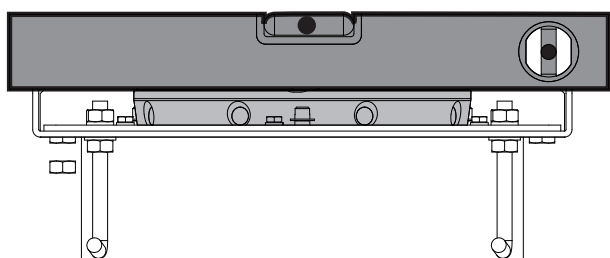
Q REGOLAZIONE ALTEZZA E CONCENTRICITA' / ADJUSTING HEIGHT AND CONCENTRICITY / RÉGLAGE DE LA HAUTEUR ET DE LA CONCENTRICITÉ / EINSTELLUNG DER HÖHE UND DER KONZENTRIZITÄT / REGULACIÓN ALTURA Y CONCENTRICIDAD / REGULAÇÃO DA ALTURA E CONCENTRICIDADE



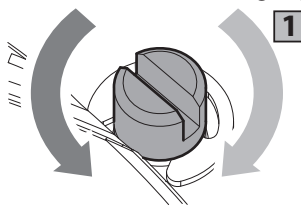
- Q1**
- > 1 giro = regolazione a filo terra cappello in ghisa
 - > 1 turn = cast iron top cap adjustment flush with ground
 - > 1 tour = réglage au ras du sol chapeau en fonte
 - > 1 Umdrehung = Einstellung Abschluss Boden Abdeckung aus Gusseisen
 - > 1 vuelta = regulación al ras del suelo sombrerete de fundición
 - > 1 volta = regulação no chão porca de ferro fundido



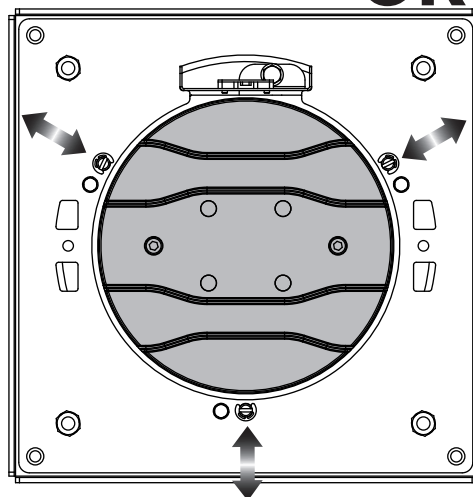
OK



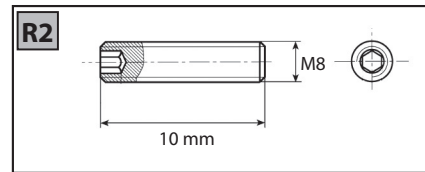
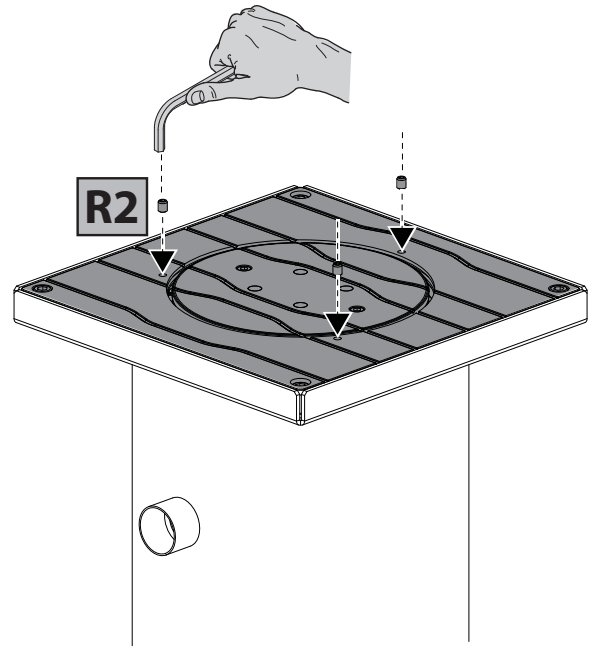
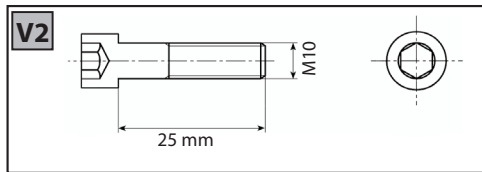
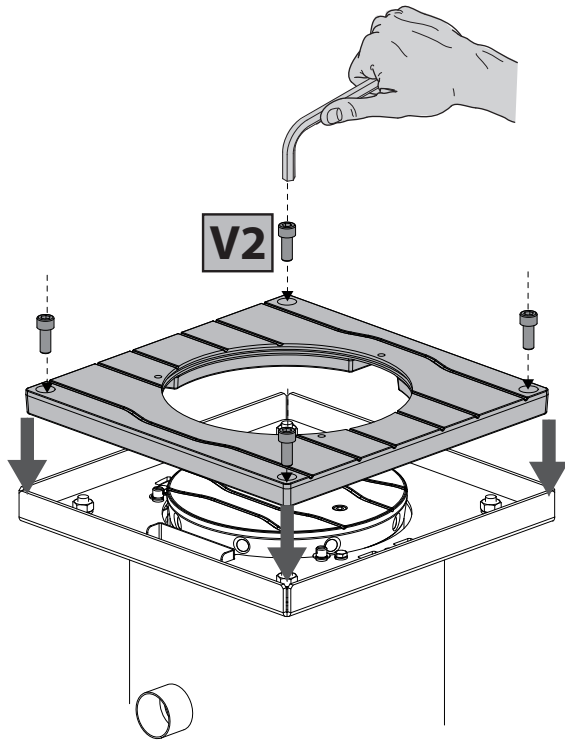
- Q2**
- < 1 giro = regolazione concentricità dello stelo
 - < 1 turn = adjust rod concentricity
 - < 1 tour = réglage concentricité de la tige
 - < 1 Umdrehung = Einstellung Konzentrizität des Schafts
 - < 1 vuelta = regulación concentricidad del vástago
 - < 1 volta = regulação da concentricidade do espigão



OK



R MONTAGGIO FLANGIA IN GHISA / FITTING THE CAST IRON FLANGE / MONTAGE DE LA BRIDE EN FONTE
MONTAGE DES FLANSCHES AUS GUSSEISEN / MONTAJE BRIDA DE FUNDICIÓN / MONTAGEM DA FLANGE DE FERRO FUNDIDO



INSTALLER WARNINGS

WARNING! Important safety instructions. Carefully read and comply with all the warnings and instructions that come with the product as incorrect installation can cause injury to people and animals and damage to property. The warnings and instructions give important information regarding safety, installation, use and maintenance. Keep hold of instructions so that you can attach them to the technical file and keep them handy for future reference.

GENERAL SAFETY

This product has been designed and built solely for the purpose indicated herein. Uses other than those indicated herein might cause damage to the product and create a hazard.

- The units making up the machine and its installation must meet the requirements of the following European Directives, where applicable: 2004/108/EC, 2006/95/EC, 2006/42/EC, 89/106/EC, 99/05/EC and later amendments. For all countries outside the EEC, it is advisable to comply with the standards mentioned, in addition to any national standards in force, to achieve a good level of safety.
- The Manufacturer of this product (hereinafter referred to as the "Firm") disclaims all responsibility resulting from improper use or any use other than that for which the product has been designed, as indicated herein, as well as for failure to apply Good Practice in the construction of entry systems (doors, gates, etc.) and for deformation that could occur during use.
- Before installing the product, make all structural changes required to produce safety gaps and to provide protection from or isolate all crushing, shearing and dragging hazard areas and danger zones in general in accordance with the provisions of standards EN 12604 and 12453 or any local installation standards. Check that the existing structure meets the necessary strength and stability requirements.
- Before commencing installation, check the product for damage.
- The Firm is not responsible for failure to apply Good Practice in the construction and maintenance of the doors, gates, etc. to be motorized, or for deformation that might occur during use.
- Make sure the stated temperature range is compatible with the site in which the automated system is due to be installed.
- Do not install this product in an explosive atmosphere: the presence of flammable fumes or gas constitutes a serious safety hazard.
- Disconnect the electricity supply before performing any work on the system. Also disconnect buffer batteries, if any are connected.
- Before connecting the power supply, make sure the product's ratings match the mains ratings and that a suitable residual current circuit breaker and overcurrent protection device have been installed upline from the electrical system. Have the automated system's mains power supply fitted with a switch or omnipolar thermal-magnetic circuit breaker with a contact separation that meets code requirements.
- Make sure that upline from the mains power supply there is a residual current circuit breaker that trips at no more than 0.03A as well as any other equipment required by code.
- Make sure the earth system has been installed correctly: earth all the metal parts belonging to the entry system (doors, gates, etc.) and all parts of the system featuring an earth terminal.
- Installation must be carried out using safety devices and controls that meet standards EN 12978 and EN 12453.
- Impact forces can be reduced by using deformable edges.
- In the event impact forces exceed the values laid down by the relevant standards, apply electro-sensitive or pressure-sensitive devices.
- Apply all safety devices (photocells, safety edges, etc.) required to keep the area free of impact, crushing, dragging and shearing hazards. Bear in mind the standards and directives in force, Good Practice criteria, intended use, the installation environment, the operating logic of the system and forces generated by the automated system.
- Apply all signs required by current code to identify hazardous areas (residual risks). All installations must be visibly identified in compliance with the provisions of standard EN 13241-1.
- Once installation is complete, apply a nameplate featuring the door/gate's data.
- This product cannot be installed on leaves incorporating doors (unless the motor can be activated only when the door is closed).
- If the automated system is installed at a height of less than 2.5 m or is accessible, the electrical and mechanical parts must be suitably protected.
- Install any fixed controls in a position where they will not cause a hazard, away from moving parts. More specifically, hold-to-run controls must be positioned within direct sight of the part being controlled and, unless they are key operated, must be installed at a height of at least 1.5 m and in a place where they cannot be reached by the public.
- Apply at least one warning light (flashing light) in a visible position, and also attach a Warning sign to the structure.
- Attach a label near the operating device, in a permanent fashion, with information on how to operate the automated system's manual release.
- Make sure that, during operation, mechanical risks are avoided or relevant protective measures taken and, more specifically, that nothing can be banged, crushed, caught or cut between the part being operated and surrounding parts.
- Once installation is complete, make sure the motor automation settings are correct and that the safety and release systems are working properly.
- Only use original spare parts for any maintenance or repair work. The Firm disclaims all responsibility for the correct operation and safety of the automated system if parts from other manufacturers are used.
- Do not make any modifications to the automated system's components unless explicitly authorized by the Firm.
- Instruct the system's user on what residual risks may be encountered, on the control systems that have been applied and on how to open the system manually in an emergency. Give the user guide to the end user.
- Dispose of packaging materials (plastic, cardboard, polystyrene, etc.) in accordance with the provisions of the laws in force. Keep nylon bags and polystyrene out of reach of children.

WIRING

WARNING! For connection to the mains power supply, use: a multicore cable with a cross-sectional area of at least 5x1.5mm² or 4x1.5mm² when dealing with three-phase power supplies or 3x1.5mm² for single-phase supplies (by way of example, type H05 VV-F cable can be used with a cross-sectional area of 4x1.5mm²). To connect auxiliary equipment, use wires with a cross-sectional area of at least 0.5 mm².

- Only use pushbuttons with a capacity of 10A-250V or more.
- Wires must be secured with additional fastening near the terminals (for example, using cable clamps) in order to keep live parts well separated from safety extra low voltage parts.
- During installation, the power cable must be stripped to allow the earth wire to be connected to the relevant terminal, while leaving the live wires as short as possible. The earth wire must be the last to be pulled taut in the event the cable's fastening device comes loose.

WARNING! safety extra low voltage wires must be kept physically separate from low voltage wires.

Only qualified personnel (professional installer) should be allowed to access live parts.

CHECKING THE AUTOMATED SYSTEM AND MAINTENANCE

Before the automated system is finally put into operation, and during maintenance work, perform the following checks meticulously:

- Make sure all components are fastened securely.
- Check starting and stopping operations in the case of manual control.
- Check the logic for normal or personalized operation.
- For sliding gates only: check that the rack and pinion mesh correctly with 2 mm of play along the full length of the rack; keep the track the gate slides on clean and free of debris at all times.
- For sliding gates and doors only: make sure the gate's running track is straight and horizontal and that the wheels are strong enough to take the weight of the gate.
- For cantilever sliding gates only: make sure there is no dipping or swinging during operation.
- For swing gates only: make sure the leaves' axis of rotation is perfectly vertical.
- Check that all safety devices (photocells, safety edges, etc.) are working properly and that the anti-crush safety device is set correctly, making sure that the force of impact measured at the points provided for by standard EN 12445 is lower than the value laid down by standard EN 12453.
- Impact forces can be reduced by using deformable edges.
- Make sure that the emergency operation works, where this feature is provided.
- Check opening and closing operations with the control devices applied.
- Check that electrical connections and cabling are intact, making extra sure that insulating sheaths and cable glands are undamaged.
- While performing maintenance, clean the photocells' optics.
- When the automated system is out of service for any length of time, activate the emergency release (see "EMERGENCY OPERATION" section) so that the operated part is made idle, thus allowing the gate to be opened and closed manually.
- If the power cord is damaged, it must be replaced by the manufacturer or their technical assistance department or other such qualified person to avoid any risk.
- If "D" type devices are installed (as defined by EN12453), connect in unverified mode, foresee mandatory maintenance at least every six months

WARNING!

Remember that the drive is designed to make the gate/door easier to use and will not solve problems as a result of defective or poorly performed installation or lack of maintenance

SCRAPPING

Materials must be disposed of in accordance with the regulations in force. There are no particular hazards or risks involved in scrapping the automated system. For the purpose of recycling, it is best to separate dismantled parts into like materials (electrical parts - copper - aluminium - plastic - etc.).

DISMANTLING

If the automated system is being dismantled in order to be reassembled at another site, you are required to:

- Cut off the power and disconnect the whole electrical system.
- Remove the actuator from the base it is mounted on.
- Remove all the installation's components.
- See to the replacement of any components that cannot be removed or happen to be damaged.

Anything that is not explicitly provided for in the installation manual is not allowed. The operator's proper operation can only be guaranteed if the information given is complied with. The Firm shall not be answerable for damage caused by failure to comply with the instructions featured herein.

While we will not alter the product's essential features, the Firm reserves the right, at any time, to make those changes deemed opportune to improve the product from a technical, design or commercial point of view, and will not be required to update this publication accordingly.

1) GENERAL OUTLINE

Underground anti-waiting bollard, compact and sturdy. Comprises a steel rod driven by an oil-immersed motor. Protected by a steel cylinder with an electrophoretic coating, to be set in the ground. The **PERSEO CBD.P SD** control panel allows up to four bollards to be controlled simultaneously.

2) TECHNICAL SPECIFICATIONS FOR STOPPY MBB ACTUATOR

MOTOR	
Motor	220-230V 50/60Hz (*)
Capacitor	10 µF
Power input	300 W
Limit switch	magnetic reed sensor
Absorption	1,4 A (230V) 2,4 A (110V)
Work frequency	intensive
Degree of protection	IP 67
Control panel	PERSEO CBD.P SD
Electric brake	24Vdc
Working time	6 s (- STOPPY MBB 219-500.C)
	9 s (- STOPPY MBB 219-700.C)
Working temperature	-25°C + 60°C (with Termon activate)
Front impact resistance on rod raised by 350 mm	8,000 Joule (50% breakagepossibility)
Static Load	Max. sustainable weight with raised rod: 300kg
	Max. sustainable weight with lowered rod: 15,000 kg
Weight	90 kg (- STOPPY MBB 219-500.C)
	110 kg (- STOPPY MBB 219-700.C)
Dimensions	see fig. H
Manual manoeuvre	If there is no power, it becomes reversible by cutting off the power

(* other voltages available on request)

3) ELECTRICAL INSTALLATION SET-UP

Lay out the electrical installation as shown in fig. A, making reference to the current CEI 64-8, IEC 364 (HD 384 harmonised) electrical standards, and other national standards.

WARNING! For connection of the control panel to the mains, use a multicouleur cable having a minimum 3x1.5 sq mm cross section of the type set out by the current standards. For example, if the cable is installed outside (in the open air), it must be at least equal to H07RN-F, whereas, if it is installed inside (in a raceway), it must be at least equal to H05 VV-F and have a 3x1.5 sq mm cross section.

To connect the bollard to the control panel, use cable supplied as standard and already wired inside the bollard. Should the cable be too short, join it inside a watertight box, using two separate cables for low voltage and mains voltage connections.

Particular attention must be paid in separating and fixing the wiring, so that the low voltage and mains voltage cables are prevented from coming into contact.

Connect the control and safety devices in compliance with the installation technical standards mentioned previously.

Fig. A shows the number of connections and their cross section for an approximate length of 100 metres: in case of longer cables, calculate the cross section for the true automation load.

Example of installation:

I Type-approved omnipolar circuit breaker, which must be adequately rated and have at least 3,5 mm contact opening, provided with protection against overloads and short circuits. If not already installed, place a type-approved differential switch with a 0.03A threshold just before the automation system.

QR Control panel and incorporated receiver

S Key selector

AL Blinker with tuned antenna

M Bollard

P Wall-mounted pushbutton panel

Fte, Fre Pair of photocells

T 1-2-4 channel transmitter

SF Red and green traffic lights

SM Magnetic coil

NOTE: The choice of the type and number of safety devices to be installed depends on the particular use and installation location.

4) PRELIMINARY CHECKS

Check that the installation base is stable and level.

For correct operation, the bollard does not require precise verticality; however, to obtain a good aesthetic result, it is advisable to proceed to levelling the installation area so as to ensure that the rod stroke is perfectly vertical.

5) FOUNDATION DIGGING AND BOLLARD POSITIONING

- Proceed as shown in fig. B .
- Carry out electrical installation (see paragraph 3).

6) MALFUNCTIONS. CAUSES AND REMEDIES

- If the rod fails to raise, check that the mains power is on, that the backup batteries, if any, are in proper working order and that the fuses have not blown. Also check the motor's connections to the control panel.
- If the rod does not move down, it is probable that an Open command is constantly given from the control panel or other external device. Therefore temporarily disconnect all the external devices in order to identify the cause of the problem. If the rod still remains raised, proceed to disconnecting the power supply and then checking the control panel. Anyway, when the power supply is off, the rod should spontaneously tend to lower; if this does not happen, proceed to disassembly in order to identify any mechanical problems preventing the lowering manoeuvre.

7) DISMANTLING

When the automation device is disassembled to be reassembled on another site, proceed as follows:

- Disconnect the power supply and the entire electrical installation
- Remove the bollard, taking care not to damage the sheath which is to protect the electric cables during the digging operations.
- Disassemble the control panel and all the installation components.
- In the case where some of the components cannot be removed or are damaged, they must be replaced.

8) HEATING ELEMENT

The Perseo CBD.P SD control unit has the TERMON setting incorporated, which regulates the temperature difference between the bollard motor and the outdoor temperature in degrees centigrade, which passes the current through the motor windings to keep the temperature constant especially in cold environment conditions.

9) ANTITHEFT SYSTEM

A reed sensor is installed under the flange of models designed for this, which enables connecting an external antitheft system. If there is an attempt to tamper with the bollard, the sensor activates the alarm system (orange wires, NC contact).

OPERATOR INSTALLATION IN READY INSTALLED FOUNDATION BOX

10) PRE-INSTALLING THE EMPTY FOUNDATION BOX AND SEALING WITH RELEVANT COVER (FIG.K)

11) PREPARING THE FOUNDATION BOX FOR OPERATOR INSTALLATION (FIG.L)

Remove the cover, unscrew the anchor nuts and remove the four thread protection screws.
Clean the base and the surface the device will sit on, removing any debris.

12) PREPARING THE BOLLARD FOR INSTALLATION IN THE FOUNDATION BOX (FIG.M)

Unscrew the fastening screws and remove the cast iron flange

13) POSITIONING THE POWER CABLE (FIG.N)

14) INSERTING THE BOLLARD IN THE FOUNDATION BOX (FIG.O)

Lower STOPPY into the foundation box turned 30°. With the bollard held approx. 10 cm above the ground, as illustrated in figure O2, turn it anticlockwise.
To lift STOPPY, use the eyebolts as illustrated in figure O1.

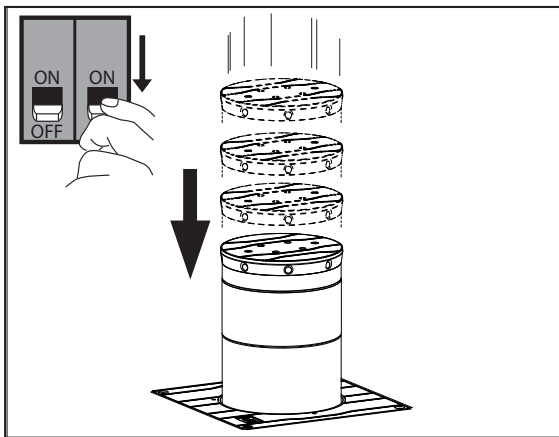
15) FASTENING THE BOLLARD(FIG.P)

16) ADJUSTING HEIGHT AND CONCENTRICITY (FIG.Q)

Adjust height by turning the screws shown in figure Q (Ref.1). Once you have finished adjusting height (ref. Q1), turn the same screws between 0 and 360° until you are happy the bollard sits concentrically in its housing (rif. Q2).
NOTE: the same screws are used to adjust both height and concentricity.

17) FITTING THE CAST IRON FLANGE (FIG.R)

**MANUALE D'USO: MANOVRA MANUALE - USER'S MANUAL: MANUAL OPERATION -
MANUEL D'UTILISATION: MANŒUVRE MANUELLE - BEDIENUNGSANLEITUNG: MANUELLES MANÖVER -
MANUAL DE USO: ACCIONAMIENTO MANUAL - MANUAL DE USO: MANOBRA MANUAL**



- Se presente la batteria è necessario interrompere l'alimentazione della batteria
- If a battery is fitted, you will need to cut off battery power/
- S'il y a une batterie il faut interrompre l'alimentation de la batterie/
- Falls die Batterie vorhanden ist, muss die Stromversorgung der Batterie unterbrochen werden.
- Si estuviere presente la batería, es necesario interrumpir la alimentación de la misma
- Se a bateria é presente, é necessário interromper a alimentação da bateria.

AVVERTENZE PER L'UTILIZZATORE (I)

ATTENZIONE! Importanti istruzioni di sicurezza. Leggere e seguire attentamente le Avvertenze e le Istruzioni che accompagnano il prodotto poiché un uso improprio può causare danni a persone, animali o cose. Conservare le istruzioni per consultazioni future e trasmetterle ad eventuali subentranti nell'uso dell'impianto.

Questo prodotto dovrà essere destinato solo all'uso per il quale è stato espressamente installato. Ogni altro uso è da considerarsi improprio e quindi pericoloso. Il costruttore non può essere considerato responsabile per eventuali danni causati da usi impropri, erronei e irragionevoli.

SICUREZZA GENERALE

Nel ringraziarVi per la preferenza accordata a questo prodotto, la Ditta è certa che da esso otterrete le prestazioni necessarie al Vostro uso.

Questo prodotto risponde alle norme riconosciute della tecnica e della disposizioni relative alla sicurezza se correttamente installato da personale qualificato ed esperto (installatore professionale). L'automazione, se installata ed utilizzata correttamente, soddisfa gli standard di sicurezza nell'uso. Tuttavia è opportuno osservare alcune regole di comportamento per evitare inconvenienti accidentali:

- Tenere bambini, persone e cose fuori dal raggio d'azione dell'automazione, in particolare durante il movimento.
- Non permettere a bambini di giocare o sostare nel raggio di azione dell'automazione.
- Questa automazione non è destinata all'uso da parte di bambini o da parte di persone con ridotte capacità mentali, fisiche e sensoriali, o persone che mancano di conoscenze adeguate a meno che esse non abbiano potuto beneficiare, attraverso l'intermediazione di una persona responsabile della loro sicurezza, di una sorveglianza o di istruzioni riguardanti l'uso dell'apparecchio.
- I bambini devono essere sorvegliati per sincerarsi che non giochino con l'apparecchio. Non permettere ai bambini di giocare con i controlli fissi. Tenere i telecomandi lontani dai bambini.
- Evitare di operare in prossimità delle cerniere o organi meccanici in movimento.
- Non contrastare il movimento dell'anta e non tentare di aprire manualmente la porta se non è stato sbloccato l'attuatore con l'apposita manopola di sblocco.
- Non entrare nel raggio di azione della porta o cancello motorizzati durante il loro movimento.
- Non lasciare radiocomandi o altri dispositivi di comando alla portata dei bambini onde evitare azionamenti involontari.
- L'attivazione dello sblocco manuale potrebbe causare movimenti incontrollati della porta se in presenza di guasti meccanici o di condizioni di squilibrio.
- In caso di apertapparelle: sorvegliare la tapparella in movimento e tenere lontano le persone finché non è completamente chiusa. Porre cura quando si aziona lo sblocco se presente, poiché una tapparella aperta potrebbe cadere rapidamente in presenza di usura o rotture.
- La rottura o l'usura di organi meccanici della porta (parte guidata), quali ad esempio cavi, molle, supporti, cardini, guide, potrebbe generare pericoli. Far controllare periodicamente l'impianto da personale qualificato ed esperto (installatore professionale) secondo quanto indicato dall'installatore o dal costruttore della porta.
- Per ogni operazione di pulizia esterna, togliere l'alimentazione di rete.
- Tenere pulite le ottiche delle fotocellule ed i dispositivi di segnalazione luminosa. Controllare che rami ed arbusti non disturbino i dispositivi di sicurezza.
- Non utilizzare l'automatismo se necessita di interventi di riparazione. In caso di guasto o di malfunzionamento dell'automazione, togliere l'alimentazione di rete sull'automazione, astenersi da qualsiasi tentativo di riparazione o intervento diretto e rivolgersi solo a personale qualificato ed esperto (installatore professionale) per la necessaria riparazione o manutenzione. Per consentire l'accesso, attivare lo sblocco di emergenza (se presente).
- Per qualsiasi intervento diretto sull'automazione o sull'impianto non previsto dal presente manuale, avvalersi di personale qualificato ed esperto (installatore professionale).
- Con frequenza almeno annuale far verificare l'integrità e il corretto funzionamento dell'automazione da personale qualificato ed esperto (installatore professionale), in particolare di tutti i dispositivi di sicurezza.
- Gli interventi d'installazione, manutenzione e riparazione devono essere documentati e la relativa documentazione tenuta a disposizione dell'utilizzatore.
- Il mancato rispetto di quanto sopra può creare situazioni di pericolo.

Tutto quello che non è espressamente previsto nel manuale d'uso, non è permesso. Il buon funzionamento dell'operatore è garantito solo se vengono rispettate le prescrizioni riportate in questo manuale. La Ditta non risponde dei danni causati dall'inosservanza delle indicazioni riportate in questo manuale.

Lasciando inalterate le caratteristiche essenziali del prodotto, la Ditta si riserva di apportare in qualunque momento le modifiche che essa ritiene convenienti per migliorare tecnicamente, costruttivamente e commercialmente il prodotto, senza impegnarsi ad aggiornare la presente pubblicazione.

USER WARNINGS (GB)

WARNING! Important safety instructions. Carefully read and comply with the Warnings and Instructions that come with the product as improper use can cause injury to people and animals and damage to property. Keep the instructions for future reference and hand

them on to any new users.

This product is meant to be used only for the purpose for which it was explicitly installed. Any other use constitutes improper use and, consequently, is hazardous. The manufacturer cannot be held liable for any damage as a result of improper, incorrect or unreasonable use.

GENERAL SAFETY

Thank you for choosing this product. The Firm is confident that its performance will meet your operating needs.

This product meets recognized technical standards and complies with safety provisions when installed correctly by qualified, expert personnel (professional installer).

If installed and used correctly, the automated system will meet operating safety standards. Nonetheless, it is advisable to observe certain rules of behaviour so that accidental problems can be avoided:

- Keep adults, children and property out of range of the automated system, especially while it is moving.
- Do not allow children to play or stand within range of the automated system.
- This automated system is not meant for use by children or by people with impaired mental, physical or sensory capacities, or people who do not have suitable knowledge, unless a person who is responsible for their safety provides them with necessary supervision or instructions on how to use the device.
- Children must be supervised to ensure they do not play with the device. Do not allow children to play with the fixed controls. Keep remote controls out of reach of children.
- Do not work near hinges or moving mechanical parts.
- Do not hinder the leaf's movement and do not attempt to open the door manually unless the actuator has been released with the relevant release knob.
- Keep out of range of the motorized door or gate while they are moving.
- Keep remote controls or other control devices out of reach of children in order to avoid the automated system being operated inadvertently.
- The manual release's activation could result in uncontrolled door movements if there are mechanical faults or loss of balance.
- When using roller shutter openers: keep an eye on the roller shutter while it is moving and keep people away until it has closed completely. Exercise care when activating the release, if such a device is fitted, as an open shutter could drop quickly in the event of wear or breakage.
- The breakage or wear of any mechanical parts of the door (operated part), such as cables, springs, supports, hinges, guides, ... may generate a hazard. Have the system checked by qualified, expert personnel (professional installer) at regular intervals according to the instructions issued by the installer or manufacturer of the door.
- When cleaning the outside, always cut off mains power.
- Keep the photocells' optics and illuminating indicator devices clean. Check that no branches or shrubs interfere with the safety devices.
- Do not use the automated system if it is in need of repair. In the event the automated system breaks down or malfunctions, cut off mains power to the system; do not attempt to repair or perform any other work to rectify the fault yourself and instead call in qualified, expert personnel (professional installer) to perform the necessary repairs or maintenance. To allow access, activate the emergency release (where fitted).
- If any part of the automated system requires direct work of any kind that is not contemplated herein, employ the services of qualified, expert personnel (professional installer).
- At least once a year, have the automated system, and especially all safety devices, checked by qualified, expert personnel (professional installer) to make sure that it is undamaged and working properly.
- A record must be made of any installation, maintenance and repair work and the relevant documentation kept and made available to the user on request.
- Failure to comply with the above may result in hazardous situations.

Anything that is not explicitly provided for in the user guide is not allowed. The operator's proper operation can only be guaranteed if the instructions given herein are complied with. The Firm shall not be answerable for damage caused by failure to comply with the instructions featured herein.

While we will not alter the product's essential features, the Firm reserves the right, at any time, to make those changes deemed opportune to improve the product from a technical, design or commercial point of view, and will not be required to update this publication accordingly.

